

Basic Information

Total Element

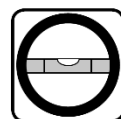


Glass Skylight closed



Glass Skylight opened

- Convenient for residential and administration buildings
- Permanently beautiful design: scratchproof special glass
- fall-through proofing according to DIN 18008-6



PLANEENER
WASSERABLAUF



VERGLASUNG
bis Ug= 0,6 W/(m²K)

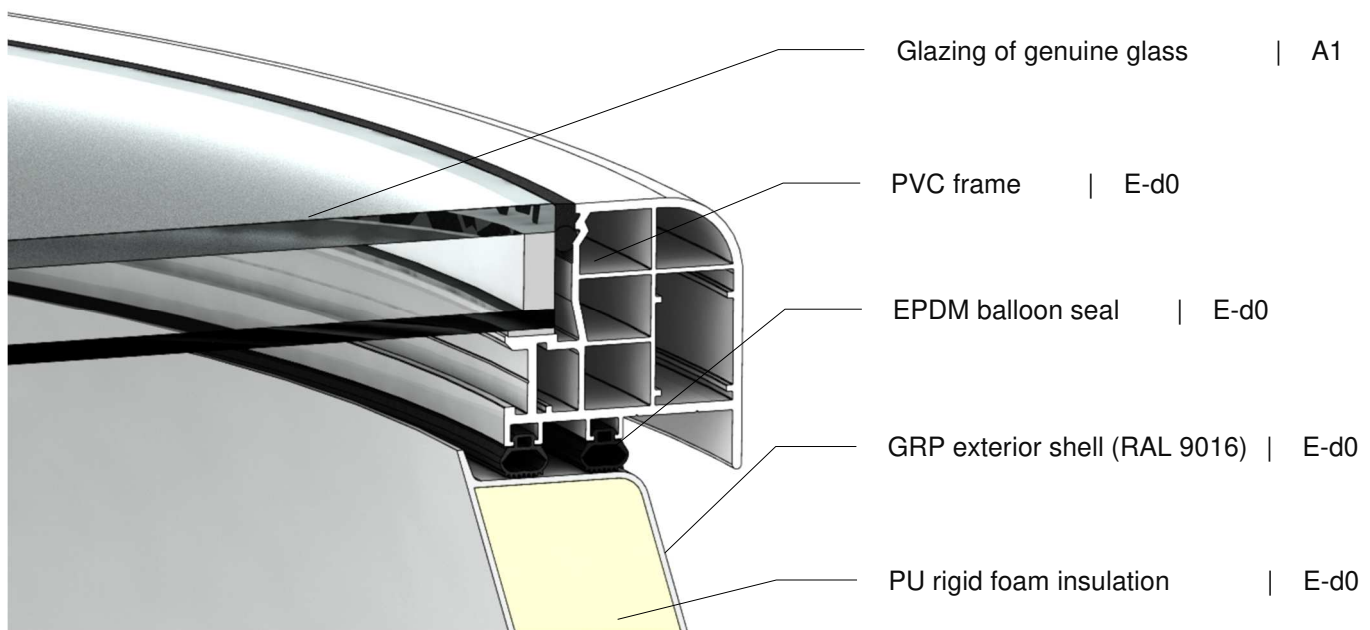


LUFTDICHT
Klasse 4 EN 12207



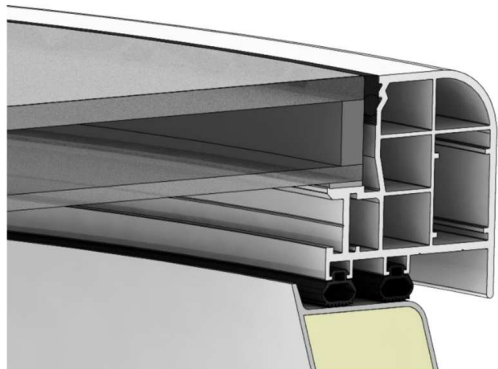
SCHLAGREGENDICHT
Klasse E1950
EN 12208

Materials and building material classes

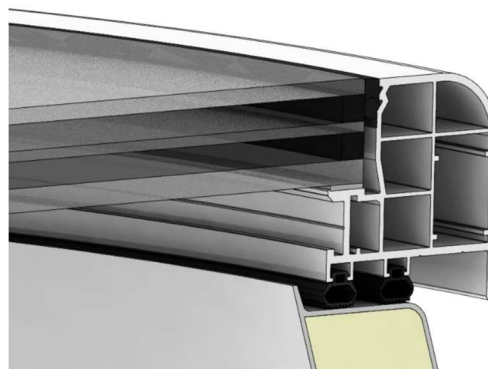


Basic Information

glazings



double glazing in structural-glazing-method of construction with building inspectorate approval



triple glazing in structural-glazing-method of construction with building inspectorate approval

| Type | Code | External glazing | SZR | Middle glazing | SZR | Internal glazing | Light transmission | Total energy transmittance | Sound insulation value $R_{w,p}$ | Ug value | Resistance class according to EN 356 | Hail resistance class (tightness + light transmission) |
|--------------------------------|------|------------------|-----|----------------|-----|------------------|--------------------|----------------------------|----------------------------------|--------------|--------------------------------------|--------------------------------------------------------|
| Double heat insulation glazing | W801 | 6 TSG | 22 | - | - | 10 LSG clear | 79% | 62% | ca.38 dB | 1,1 [W/m²K] | P2A | HW5 |
| | W802 | 6 TSG | 22 | - | - | 10 LSG opal | 54% | 59% | | | | HW5 |
| Double sun protection glazing | S809 | 6 TSG | 22 | - | - | 10 LSG clear | 60% | 33% | | | | HW5 |
| | S810 | 6 TSG | 22 | - | - | 10 LSG opal | 41% | 32% | | | | HW5 |
| Triple heat insulation glazing | W823 | 6 TSG | 10 | 4 Float | 10 | 8 LSG clear | 72% | 51% | ca. 39 dB | 0,82 [W/m²K] | P2A | HW5 |
| | W824 | 6 TSG | 10 | 4 Float | 10 | 8 LSG opal | 49% | 50% | | | | HW5 |
| Triple sun protection glazing | S827 | 6 TSG | 10 | 4 Float | 10 | 8 LSG clear | 55% | 30% | | | | HW5 |
| | S828 | 6 TSG | 10 | 4 Float | 10 | 8 LSG opal | 37% | 29% | | | | 0,8 [W/m²K] |

The stated thickness of the panes and the spaces between the panes are the standard configuration. They are subject to static requirements and may vary depending on pane sizes and loads.

The specified technical values are determined in accordance with the valid regulations and standards for reference test specimens and may differ slightly in individual cases.

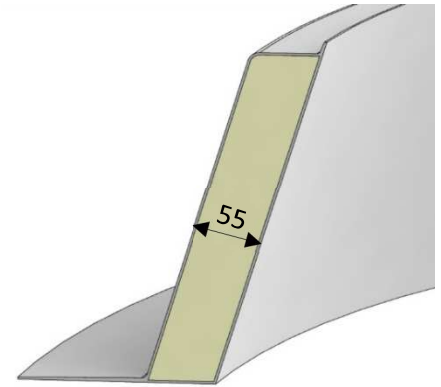
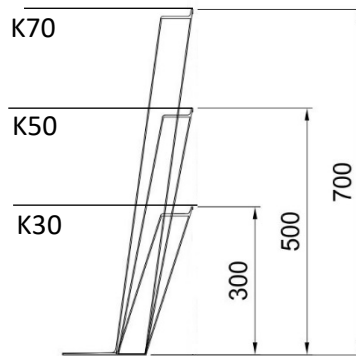
The spectral data can deviate by up to 5% from the stated values!
Resistance to outside flying sparks B, roof (t1) according to EN 13501-5.

Basic Information

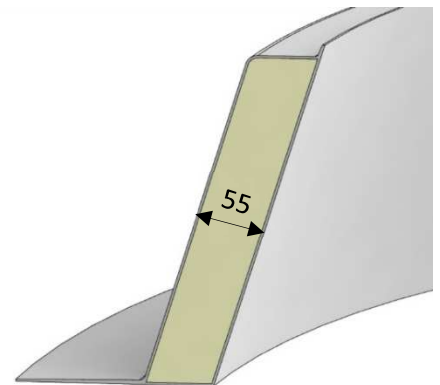
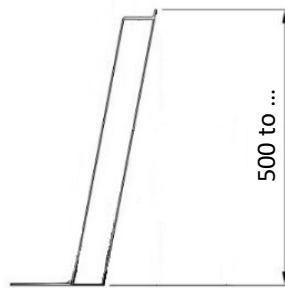
Lower part



upstand round

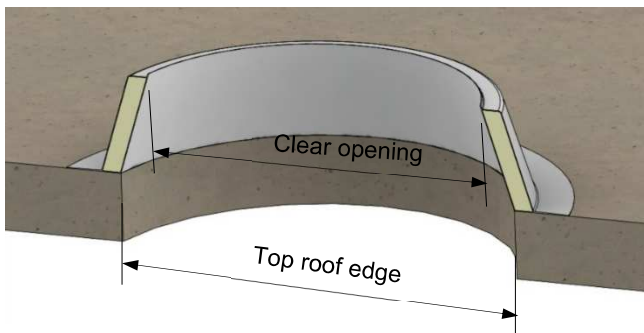


5°-inclined upstand round



We recommend using liquid plastic to connect the seal to round upstands.

Sizes



| Available sizes for K30 / K50 / K50-5° / K70 | |
|-------------------------------------------------|---------------|
| Top roof edge size | clear opening |
| Ø60 | Ø54 |
| Ø80 | Ø62 |
| Ø90 | Ø72 |
| Ø100 | Ø82 |
| Ø120 | Ø102 |
| Ø150 | Ø132 |
| Ø180 | Ø162 |

Weights

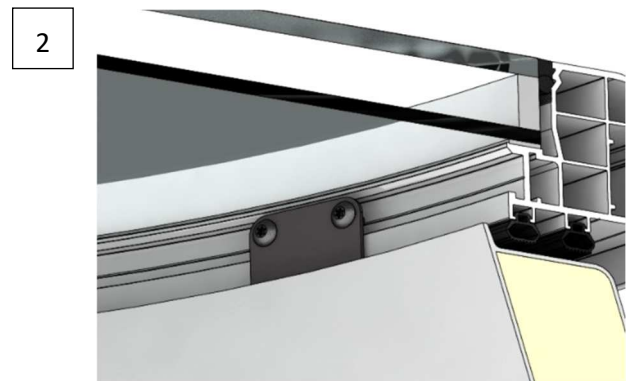
| Top roof edge size | Upper part | | Upstand | | |
|-----------------------|------------|-----------|-----------|-----------|-----------|
| | double | triple | K30 | K50 | K70 |
| Ø60 | ca. 11 kg | ca. 12 kg | ca. 9 kg | ca. 13 kg | ca. 18 kg |
| Ø80 | ca. 20 kg | ca. 22 kg | ca. 11 kg | ca. 16 kg | ca. 20 kg |
| Ø90 | ca. 25 kg | ca. 27 kg | ca. 13 kg | ca. 17 kg | ca. 23 kg |
| Ø100 | ca. 31 kg | ca. 34 kg | ca. 14 kg | ca. 19 kg | ca. 25 kg |
| Ø120 | ca. 45 kg | ca. 49 kg | ca. 16 kg | ca. 22 kg | ca. 30 kg |
| Ø150 | ca. 70 kg | ca. 77 kg | ca. 20 kg | ca. 27 kg | ca. 37 kg |
| Ø180 | ca. 109 kg | ca. 120kg | ca. 25 kg | ca. 33 kg | ca. 46 kg |

Basic Information

Variants

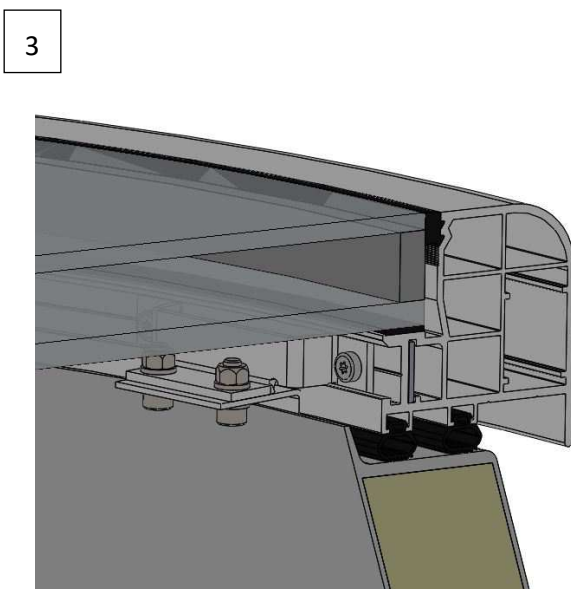


- 24V Spindle drive
- 24V Spindle drive + external power supply LA-2 (= 230V)
(both types always with covert cable routing)

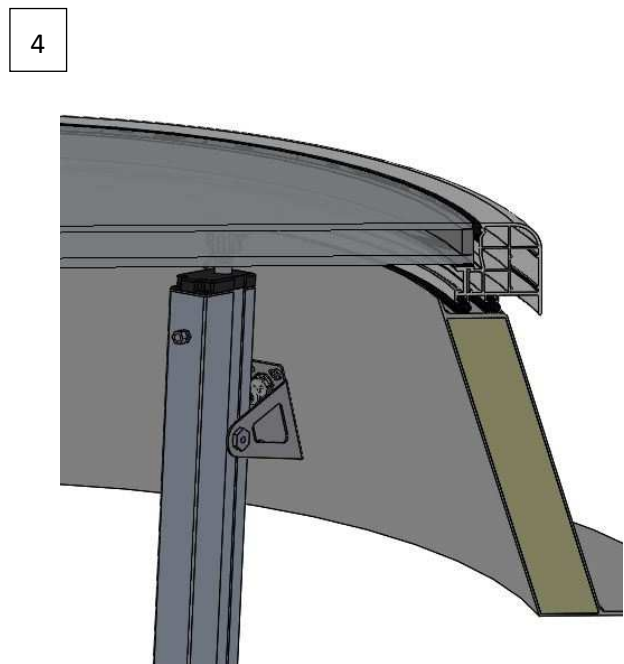


Rigidly locked (Ventilation function NOT retrofittable)

| Top roof edge size | Ø60 | Ø80 | Ø90 | Ø100 | Ø120 | Ø150 | Ø180 |
|--------------------|--------------------|--------------------|--------------------|--------------------|--------------------|--------------------|--------------------|
| Lifting | 300mm | 300mm | 300mm | 500mm | 500mm | 500mm | 750mm |
| Version | solo | solo | solo | solo | solo | solo | tandem |
| Type | Jo65 | Jo65 | Jo65 | Jo65 | Jo65 | Jo100 | Jo100 |
| Ageo | 0,23m ² | 0,29m ² | 0,34m ² | 0,53m ² | 0,80m ² | 1,04m ² | 1,90m ² |



fixed (ventilation function retrofittable)



230V Spindle drive SP8
only 300mm stroke
for top roof edge size 60-80-90-100-120-150

Basic Information

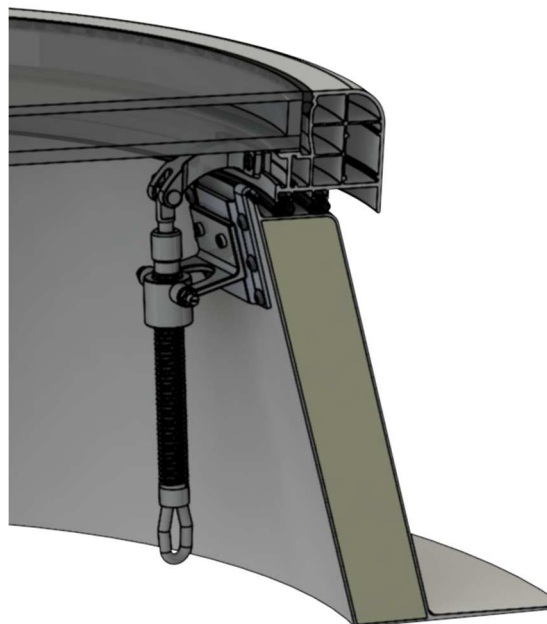
5



230V chain drive (stroke 150mm)
concealed in upstand

Only available for:
Top roof edge size 120 K50 + K50/5°
Top roof edge size 150 K50 + K50/5°

6



hand spindle
for OKD 60-80-90-100