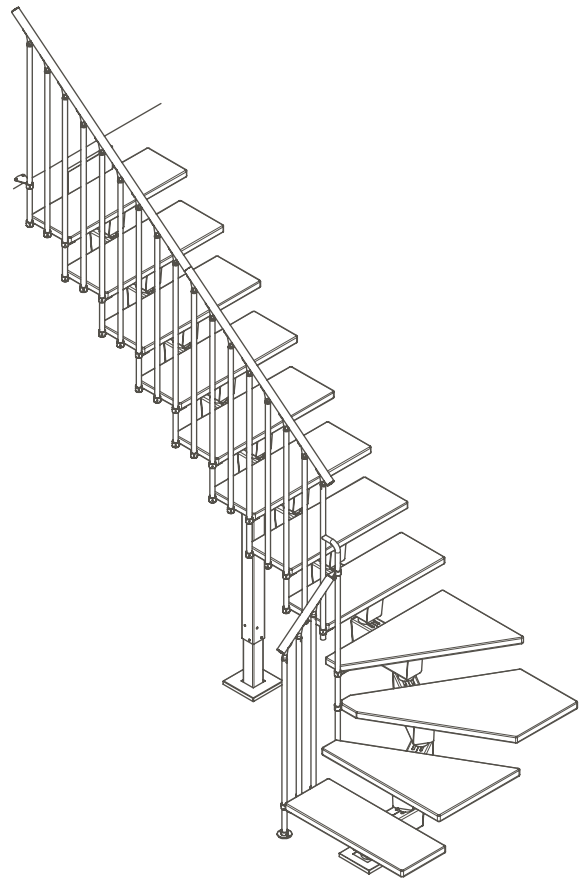
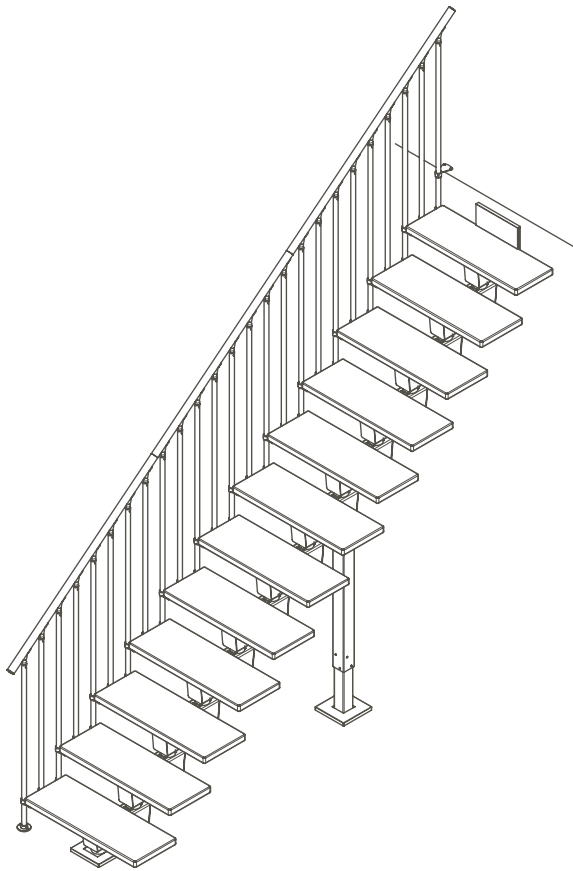
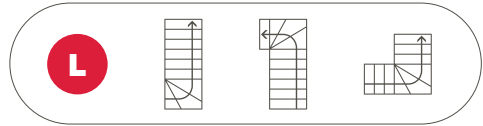
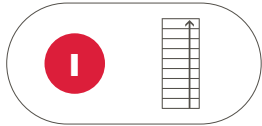



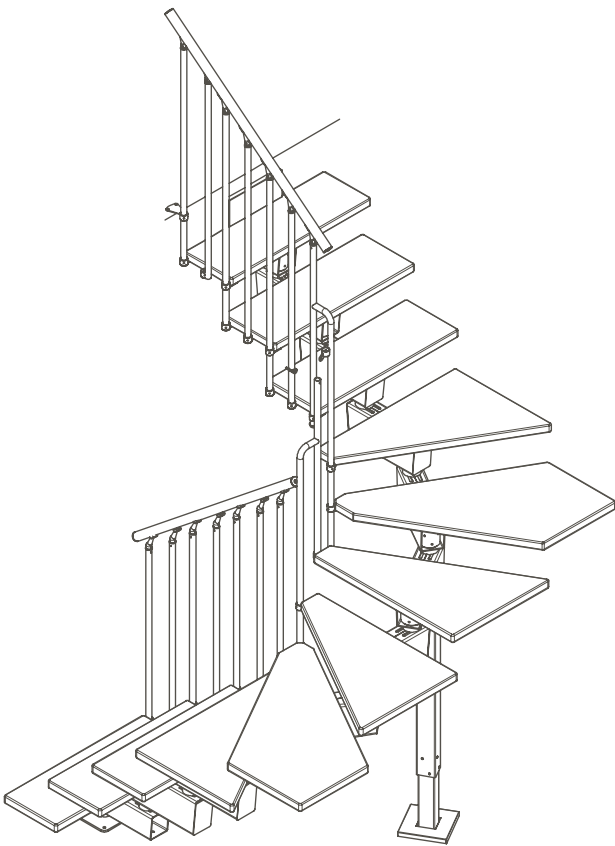
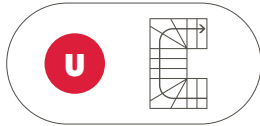
dolle.com/dubai






 Video: www.dolle.com/dubai

NO. OF TREADS	PAGE
11 treads	7
12 treads	11
13 treads	17
14 treads	26
15 treads	32
16 treads	42



 Video: www.dolle.com/dubai

NO. OF TREADS	PAGE
11 treads	7
12 treads	11
13 treads	17
14 treads	26
15 treads	32
16 treads	42

STAIRCASE TERMINOLOGY

C1

E

G

H

M

M1

	Staircase width w. 1 banister	Headroom	Going (of tread)	Height floor-to-floor	Upper floor opening length - min.
	Escalier à 1 rampe	Echappée	Giron	Hauteur sol-sol	Longueur de trémie min.
	Trappe bredde m. 1 gelænder	Frihøjde	Grund	Etagehøjde	Hulmål længde min.
	Trappbredd med 1 räcke	Frihöjd	Grund	Golv till golv höjd	Hålmått längd min.
	Treppenbreite inkl. 1 Geländer	Kopffreiheit	Auftrittsbreite	Geschosshöhe	Öffnungsgröße länge min.

N

N1




O

P

R

R2

R1

	Upper floor opening width - min.	Clear width	Pitch	Total going length	Total going width
	Largeur de trémie min.	Largeur de passage	Pente de l'escalier	Recul total - longueur	Recul total - largeur
	Hulmål bredde min.	Fri bredde	Stjghed/hældning	Udladning længde	Udladning bredde
	Hålmått bredd min.	Fri bredd	Hällning	Trapplängd	Trappbredd
	Öffnungsgröße breite min.	Durchgangsmaß	Winkel	Ausladung länge	Ausladung breite

S

T

V

W

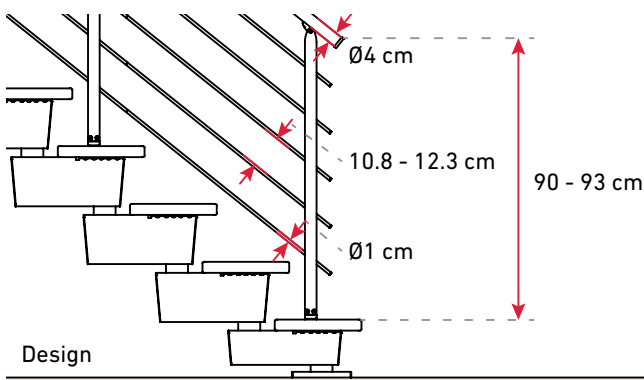
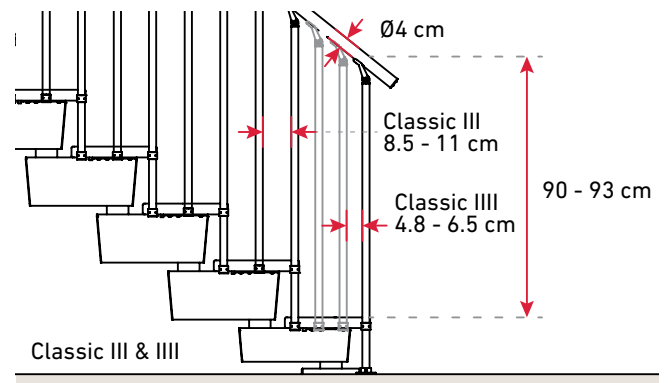
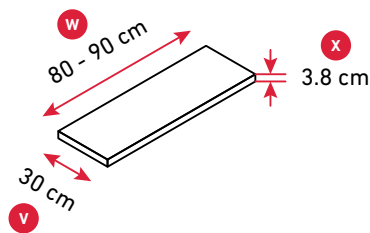
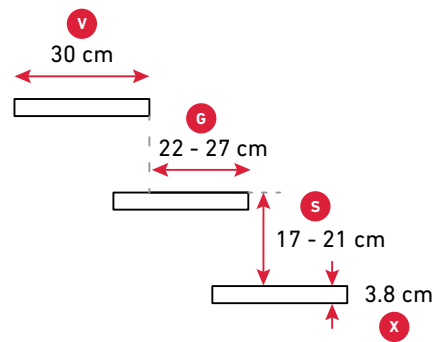
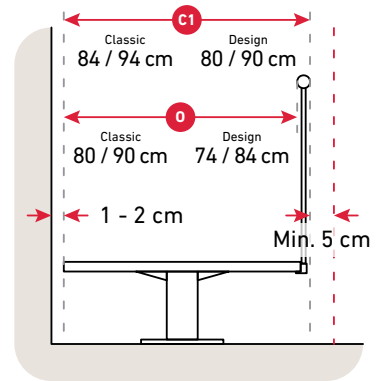
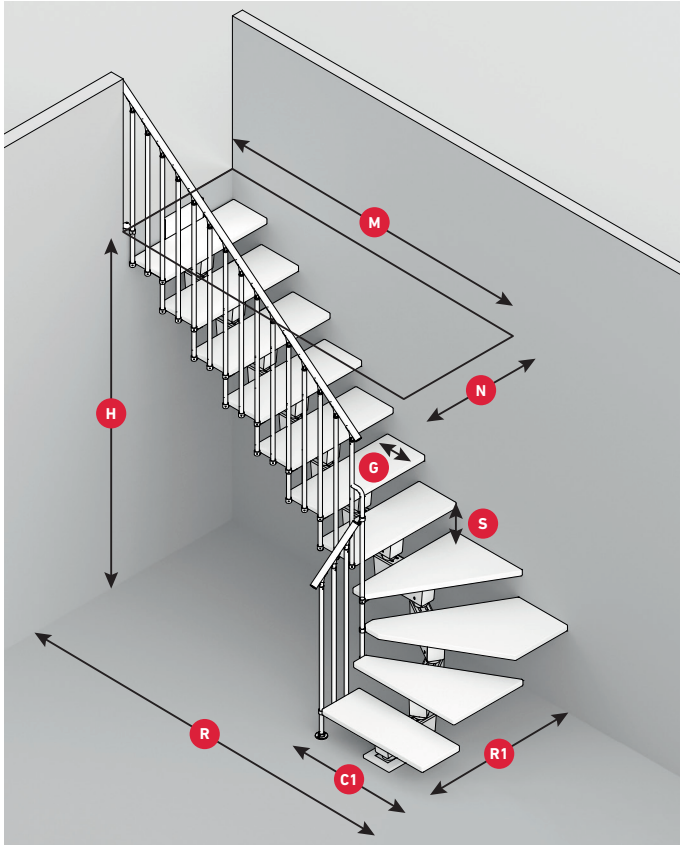
X

	Rise height	Number of treads	Tread depth	Tread width	Tread thickness
	Hauteur de marche	Nombre de marches	Profondeur de marche	Largeur de marche	Epaisseur de marche
	Stigningshøjde	Antal trin	Trin dybde	Trin bredde	Trin tykkelse
	Steghöjd	Antal steg	Stegdjup	Stegbredd	Stegjocklek
	Steigungshöhe	Anzahl Stufen	Stufen tiefe	Stufen breite	Stufen Stärke

Z

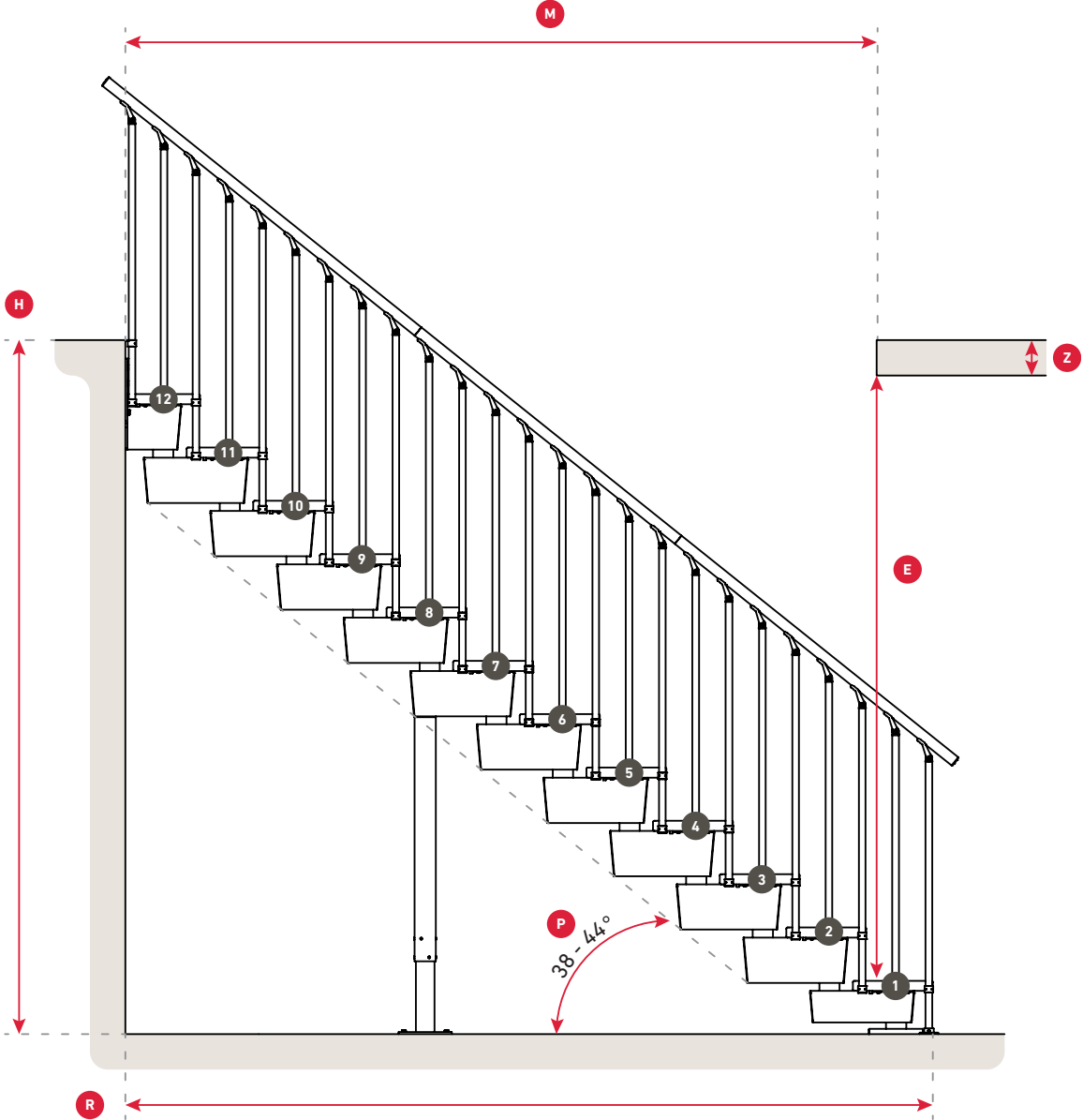
	Deck thickness
	Epaisseur de dalle
	Dæk tykkelse
	Bjälklagstjocklek
	Deckenstärke

DIMENSIONS



DIMENSIONS

- (16T) 289 - 357 cm
- (15T) 272 - 336 cm
- (14T) 255 - 315 cm
- (13T) 238 - 294 cm
- (12T) 221 - 273 cm
- (11T) 204 - 252 cm
- (10T) 187 - 231 cm
- (9T) 170 - 210 cm



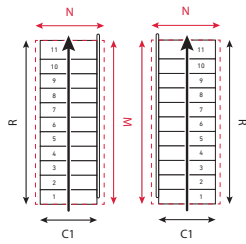
- (16T) 371 - 435 cm
- (15T) 349 - 408 cm
- (14T) 327 - 381 cm
- (13T) 305 - 354 cm
- (12T) 283 - 327 cm
- (11T) 261 - 300 cm
- (10T) 239 - 273 cm
- (9T) 217 - 246 cm

DUBAI 11 TREADS - WIDTH 80 & 90 CM

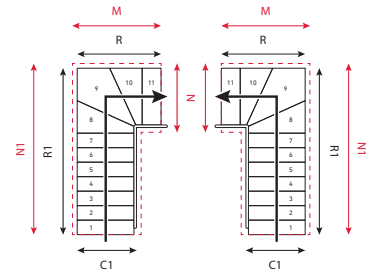
H 204 - 252 cm

— Staircase dimensions incl. Classic banister on 1 side. See p. 5 for staircase width (C1) with Design banister.

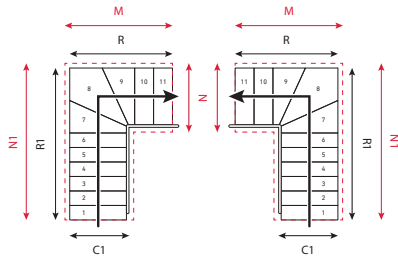
- - Floor opening size is defined based on 2 cm space to wall, 5 cm space for hand, 19 cm rise height, 25 cm deck thickness, 200 cm headspace.



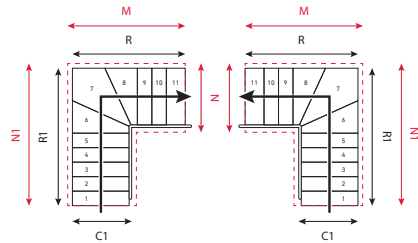
C1 (cm)	R (cm)	N (cm)	M (cm)
84	250 - 300	91	250 - 300
94	250 - 300	101	250 - 300



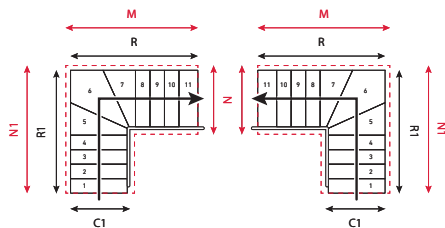
C1 (cm)	R (cm)	R1 (cm)	N (cm)	M (cm)	N1 (cm)
84	121	249 - 284	91	123	251 - 286
94	126	254 - 289	101	128	256 - 291



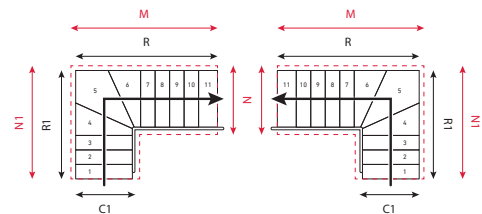
C1 (cm)	R (cm)	R1 (cm)	N (cm)	M (cm)	N1 (cm)
84	143 - 148	227 - 257	91	145 - 150	229 - 259
94	148 - 153	232 - 262	101	150 - 155	234 - 264



C1 (cm)	R (cm)	R1 (cm)	N (cm)	M (cm)	N1 (cm)
84	165 - 175	205 - 230	91	167 - 177	207 - 232
94	170 - 180	210 - 235	101	172 - 182	212 - 237



C1 (cm)	R (cm)	R1 (cm)	N (cm)	M (cm)	N1 (cm)
84	187 - 202	183 - 203	91	189 - 204	185 - 205
94	192 - 207	188 - 208	101	194 - 209	190 - 210



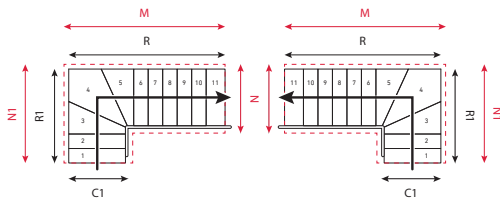
C1 (cm)	R (cm)	R1 (cm)	N (cm)	M (cm)	N1 (cm)
84	209 - 229	161 - 176	91	211 - 231	163 - 178
94	214 - 234	166 - 181	101	216 - 236	168 - 183

DUBAI 11 TREADS - WIDTH 80 & 90 CM

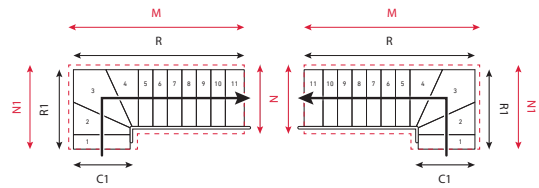
H 204 - 252 cm

— Staircase dimensions incl. Classic banister on 1 side. See p. 5 for staircase width (C1) with Design banister.

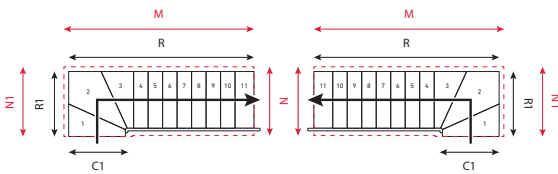
- - - Floor opening size is defined based on 2 cm space to wall, 5 cm space for hand, 19 cm rise height, 25 cm deck thickness, 200 cm headspace.



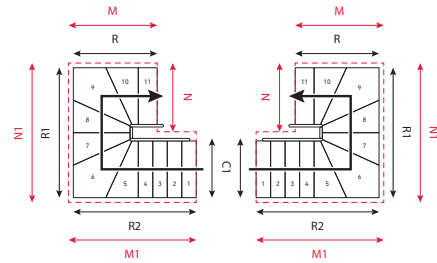
C1 (cm)	R (cm)	R1 (cm)	N (cm)	M (cm)	N1 (cm)
84	231 - 256	139 - 149	91	233 - 258	141 - 151
94	236 - 261	144 - 154	101	238 - 263	146 - 156



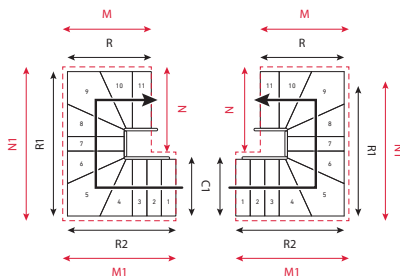
C1 (cm)	R (cm)	R1 (cm)	N (cm)	M (cm)	N1 (cm)
84	253 - 283	117 - 122	91	255 - 285	119 - 124
94	258 - 288	122 - 127	101	260 - 290	124 - 129



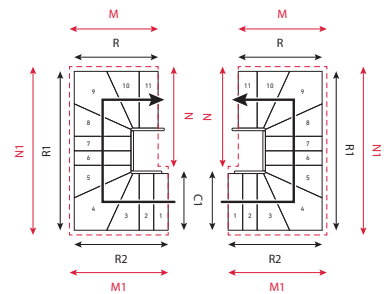
C1 (cm)	R (cm)	R1 (cm)	N (cm)	M (cm)	N1 (cm)
84	275 - 310	95	91	277 - 312	97
94	280 - 315	100	101	282 - 317	102



C1 (cm)	R (cm)	R1 (cm)	R2 (cm)	N (cm)	M (cm)	N1 (cm)	M1 (cm)
84	121	181	183 - 203	91	123	185	185 - 205
94	126	191	188 - 208	101	128	195	190 - 210



C1 (cm)	R (cm)	R1 (cm)	R2 (cm)	N (cm)	M (cm)	N1 (cm)	M1 (cm)
84	121	203 - 208	161 - 176	91	123	207 - 212	163 - 178
94	126	213 - 218	166 - 181	101	128	217 - 222	168 - 183



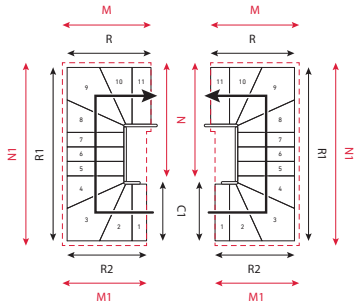
C1 (cm)	R (cm)	R1 (cm)	R2 (cm)	N (cm)	M (cm)	N1 (cm)	M1 (cm)
84	121	225 - 235	139 - 149	91	123	229 - 239	141 - 151
94	126	235 - 245	144 - 154	101	128	239 - 249	146 - 156

DUBAI 11 TREADS - WIDTH 80 & 90 CM

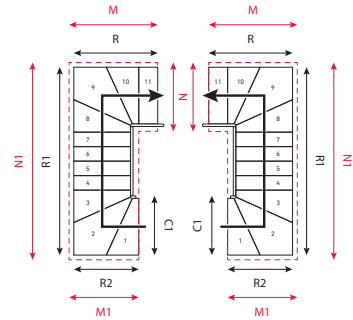
H 204 - 252 cm

— Staircase dimensions incl. Classic banister on 1 side. See p. 5 for staircase width (C1) with Design banister.

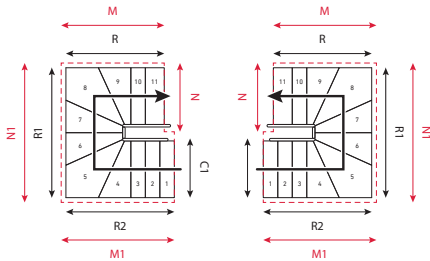
- - Floor opening size is defined based on 2 cm space to wall, 5 cm space for hand, 19 cm rise height, 25 cm deck thickness, 200 cm headspace.



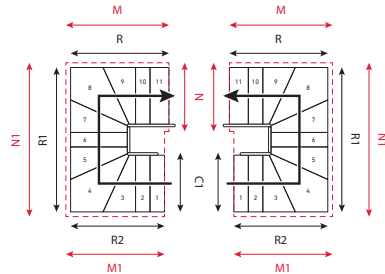
C1 (cm)	R (cm)	R1 (cm)	R2 (cm)	N (cm)	M (cm)	N1 (cm)	M1 (cm)
84	121	247 - 262	117 - 122	91	123	251 - 266	119 - 124
94	126	257 - 272	122 - 127	101	128	261 - 276	124 - 129



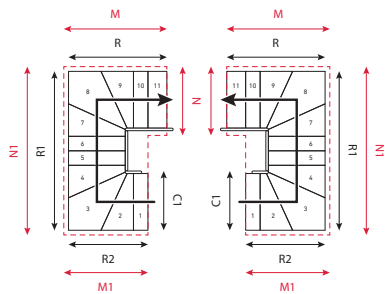
C1 (cm)	R (cm)	R1 (cm)	R2 (cm)	N (cm)	M (cm)	N1 (cm)	M1 (cm)
84	121	269 - 289	95	91	123	273 - 293	97
94	126	279 - 299	100	101	128	283 - 303	100 - 101



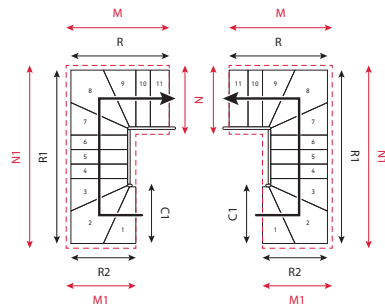
C1 (cm)	R (cm)	R1 (cm)	R2 (cm)	N (cm)	M (cm)	N1 (cm)	M1 (cm)
84	143 - 148	181	161 - 176	91	145 - 150	185	163 - 178
94	148 - 153	191	166 - 181	101	150 - 155	195	168 - 183



C1 (cm)	R (cm)	R1 (cm)	R2 (cm)	N (cm)	M (cm)	N1 (cm)	M1 (cm)
84	143 - 148	203 - 208	139 - 149	91	145 - 150	207 - 212	141 - 151
94	148 - 153	213 - 218	144 - 154	101	150 - 155	217 - 222	146 - 156



C1 (cm)	R (cm)	R1 (cm)	R2 (cm)	N (cm)	M (cm)	N1 (cm)	M1 (cm)
84	143 - 148	225 - 235	117 - 122	91	145 - 150	229 - 239	119 - 124
94	148 - 153	235 - 245	122 - 127	101	150 - 155	239 - 249	124 - 129



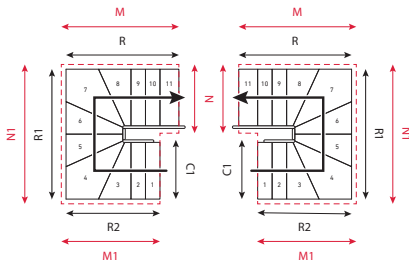
C1 (cm)	R (cm)	R1 (cm)	R2 (cm)	N (cm)	M (cm)	N1 (cm)	M1 (cm)
84	143 - 148	247 - 262	95	91	145 - 150	251 - 266	97
94	148 - 153	257 - 272	100	101	150 - 155	261 - 276	100 - 101

DUBAI 11 TREADS - WIDTH 80 & 90 CM

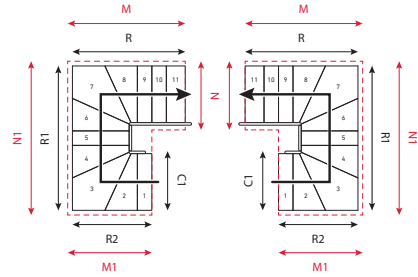
H 204 - 252 cm

— Staircase dimensions incl. Classic banister on 1 side. See p. 5 for staircase width (C1) with Design banister.

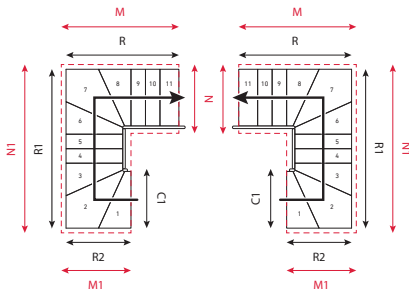
- - Floor opening size is defined based on 2 cm space to wall, 5 cm space for hand, 19 cm rise height, 25 cm deck thickness, 200 cm headspace.



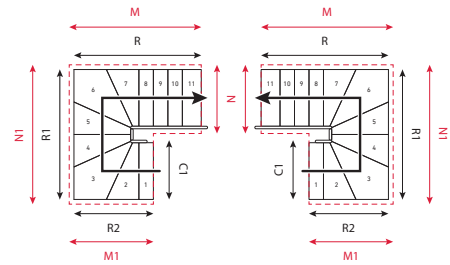
C1 (cm)	R (cm)	R1 (cm)	R2 (cm)	N (cm)	M (cm)	N1 (cm)	M1 (cm)
84	165 - 175	181	139 - 149	91	167 - 177	185	141 - 151
94	170 - 180	191	144 - 154	101	172 - 182	195	146 - 156



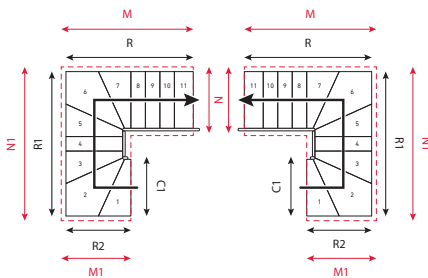
C1 (cm)	R (cm)	R1 (cm)	R2 (cm)	N (cm)	M (cm)	N1 (cm)	M1 (cm)
84	165 - 175	203 - 208	117 - 122	91	167 - 177	207 - 212	119 - 124
94	170 - 180	213 - 218	122 - 127	101	172 - 182	217 - 222	124 - 129



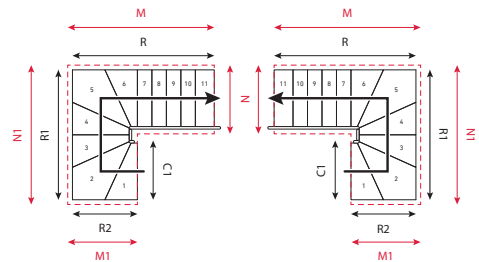
C1 (cm)	R (cm)	R1 (cm)	R2 (cm)	N (cm)	M (cm)	N1 (cm)	M1 (cm)
84	165 - 175	225 - 235	95	91	167 - 177	229 - 239	97
94	170 - 180	235 - 245	100	101	172 - 182	239 - 249	100 - 101



C1 (cm)	R (cm)	R1 (cm)	R2 (cm)	N (cm)	M (cm)	N1 (cm)	M1 (cm)
84	187 - 202	181	117 - 122	91	189 - 204	185	119 - 124
94	192 - 207	191	122 - 127	101	194 - 209	195	124 - 129



C1 (cm)	R (cm)	R1 (cm)	R2 (cm)	N (cm)	M (cm)	N1 (cm)	M1 (cm)
84	187 - 202	203 - 208	95	91	189 - 204	207 - 212	97
94	192 - 207	213 - 218	100	101	194 - 209	217 - 222	100 - 101



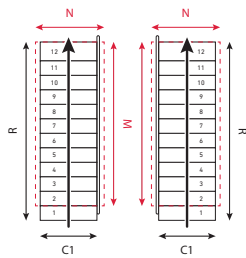
C1 (cm)	R (cm)	R1 (cm)	R2 (cm)	N (cm)	M (cm)	N1 (cm)	M1 (cm)
84	209 - 229	181	95	91	211 - 231	185	97
94	214 - 234	191	100	101	216 - 236	195	100 - 101

DUBAI 12 TREADS - WIDTH 80 & 90 CM

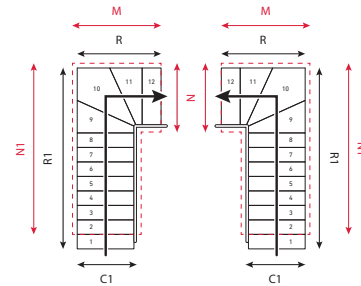
H 221 - 273 cm

— Staircase dimensions incl. Classic banister on 1 side. See p. 5 for staircase width (C1) with Design banister.

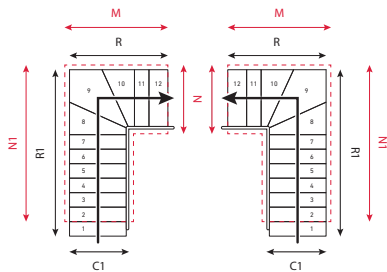
- - Floor opening size is defined based on 2 cm space to wall, 5 cm space for hand, 19 cm rise height, 25 cm deck thickness, 200 cm headspace.



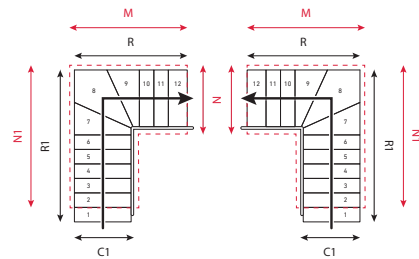
C1 (cm)	R (cm)	N (cm)	M (cm)
84	272 - 327	91	250 - 300
94	272 - 327	101	250 - 300



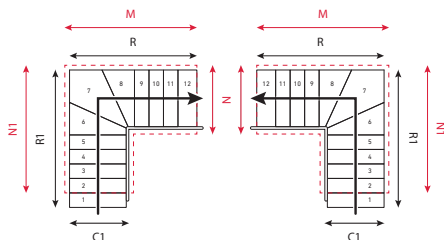
C1 (cm)	R (cm)	R1 (cm)	N (cm)	M (cm)	N1 (cm)
84	121	271 - 311	91	123	229 - 259
94	126	276 - 316	101	128	234 - 264



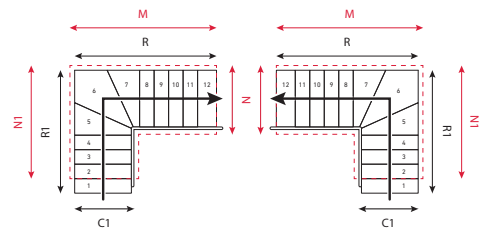
C1 (cm)	R (cm)	R1 (cm)	N (cm)	M (cm)	N1 (cm)
84	143 - 148	249 - 284	91	145 - 150	251 - 286
94	148 - 153	254 - 289	101	150 - 155	256 - 291



C1 (cm)	R (cm)	R1 (cm)	N (cm)	M (cm)	N1 (cm)
84	165 - 175	227 - 257	91	167 - 177	207 - 232
94	170 - 180	232 - 262	101	172 - 182	212 - 237



C1 (cm)	R (cm)	R1 (cm)	N (cm)	M (cm)	N1 (cm)
84	187 - 202	205 - 230	91	189 - 204	185 - 205
94	192 - 207	210 - 235	101	194 - 209	190 - 210



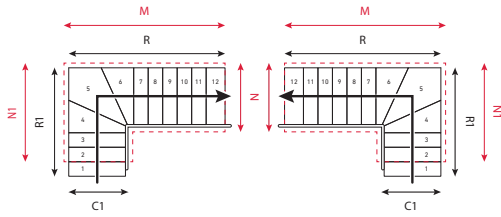
C1 (cm)	R (cm)	R1 (cm)	N (cm)	M (cm)	N1 (cm)
84	209 - 229	183 - 203	91	211 - 231	163 - 178
94	214 - 234	188 - 208	101	216 - 236	168 - 183

DUBAI 12 TREADS - WIDTH 80 & 90 CM

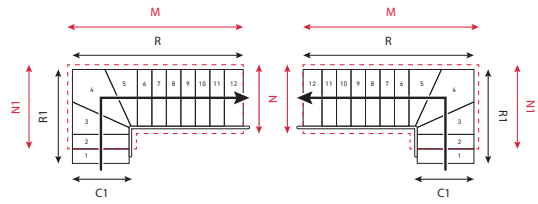
H 221 - 273 cm

— Staircase dimensions incl. Classic banister on 1 side. See p. 5 for staircase width (C1) with Design banister.

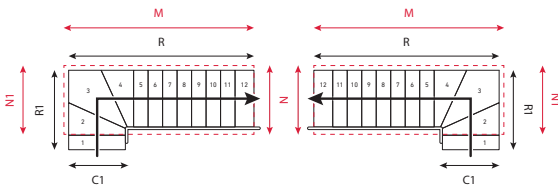
- - Floor opening size is defined based on 2 cm space to wall, 5 cm space for hand, 19 cm rise height, 25 cm deck thickness, 200 cm headspace.



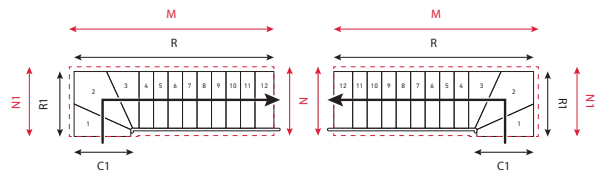
C1 (cm)	R (cm)	R1 (cm)	N (cm)	M (cm)	N1 (cm)
84	231 - 256	161 - 176	91	233 - 258	141 - 151
94	236 - 261	166 - 181	101	238 - 263	146 - 156



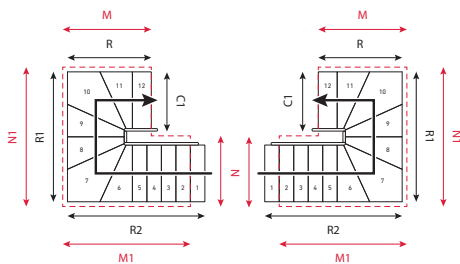
C1 (cm)	R (cm)	R1 (cm)	N (cm)	M (cm)	N1 (cm)
84	253 - 283	139 - 149	91	255 - 285	119 - 124
94	258 - 288	144 - 154	101	260 - 290	124 - 129



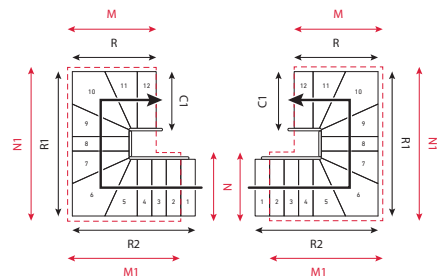
C1 (cm)	R (cm)	R1 (cm)	N (cm)	M (cm)	N1 (cm)
84	275 - 310	117 - 122	91	277 - 312	97
94	280 - 315	122 - 127	101	282 - 317	101



C1 (cm)	R (cm)	R1 (cm)	N (cm)	M (cm)	N1 (cm)
84	297 - 337	95	91	299 - 339	91
94	302 - 342	100	101	304 - 344	101



C1 (cm)	R (cm)	R1 (cm)	R2 (cm)	N (cm)	M (cm)	N1 (cm)	M1 (cm)
84	121	181	205 - 230	91	123	185	185 - 205
94	126	191	210 - 235	101	128	195	190 - 210



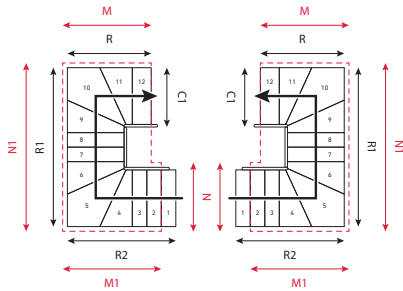
C1 (cm)	R (cm)	R1 (cm)	R2 (cm)	N (cm)	M (cm)	N1 (cm)	M1 (cm)
84	121	203 - 208	183 - 203	91	123	207 - 212	163 - 178
94	126	213 - 218	188 - 208	101	128	217 - 222	168 - 183

DUBAI 12 TRENDS - WIDTH 80 & 90 CM

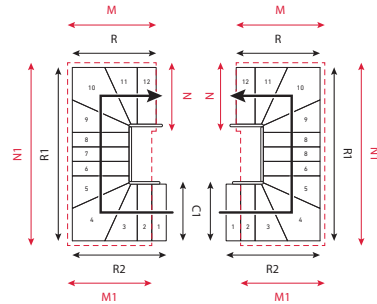
H 221 - 273 cm

— Staircase dimensions incl. Classic banister on 1 side. See p. 5 for staircase width (C1) with Design banister.

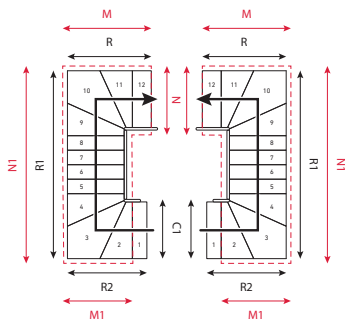
- - - Floor opening size is defined based on 2 cm space to wall, 5 cm space for hand, 19 cm rise height, 25 cm deck thickness, 200 cm headspace.



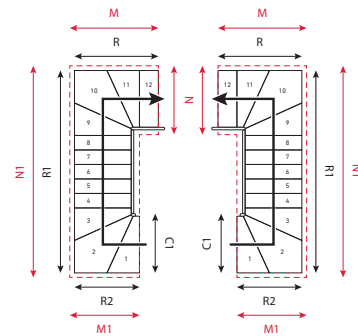
C1 (cm)	R (cm)	R1 (cm)	R2 (cm)	N (cm)	M (cm)	N1 (cm)	M1 (cm)
84	121	225 - 235	161 - 176	91	123	229 - 239	141 - 151
94	126	235 - 245	166 - 181	101	128	239 - 249	146 - 156



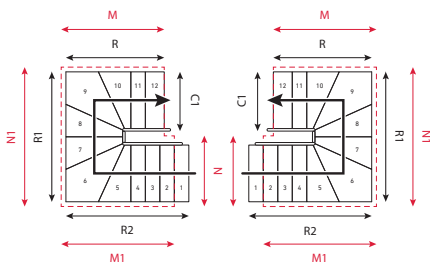
C1 (cm)	R (cm)	R1 (cm)	R2 (cm)	N (cm)	M (cm)	N1 (cm)	M1 (cm)
84	121	247 - 262	139 - 149	91	123	251 - 266	119 - 124
94	126	257 - 272	144 - 154	101	128	261 - 276	124 - 129



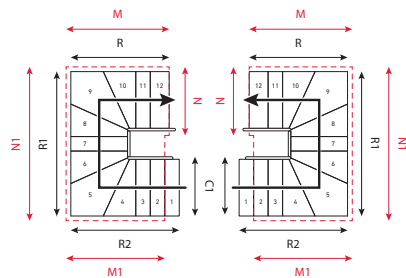
C1 (cm)	R (cm)	R1 (cm)	R2 (cm)	N (cm)	M (cm)	N1 (cm)	M1 (cm)
84	121	269 - 289	177 - 122	91	123	273 - 293	97
94	126	279 - 299	122 - 127	101	128	283 - 303	101



C1 (cm)	R (cm)	R1 (cm)	R2 (cm)	N (cm)	M (cm)	N1 (cm)	M1 (cm)
84	121	291 - 316	95	91	123	295 - 320	91
94	126	301 - 326	100	101	128	305 - 330	101



C1 (cm)	R (cm)	R1 (cm)	R2 (cm)	N (cm)	M (cm)	N1 (cm)	M1 (cm)
84	143 - 148	181	183 - 203	91	145 - 150	185	163 - 178
94	148 - 153	191	188 - 208	101	150 - 155	195	168 - 183



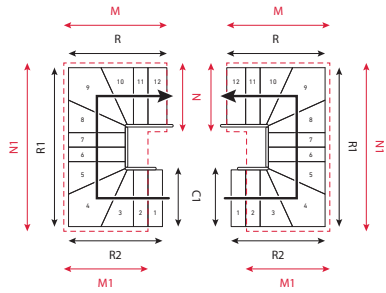
C1 (cm)	R (cm)	R1 (cm)	R2 (cm)	N (cm)	M (cm)	N1 (cm)	M1 (cm)
84	143 - 148	203 - 208	161 - 176	91	145 - 150	207 - 212	141 - 151
94	148 - 153	213 - 218	166 - 181	101	150 - 155	217 - 222	146 - 156

DUBAI 12 TRENDS - WIDTH 80 & 90 CM

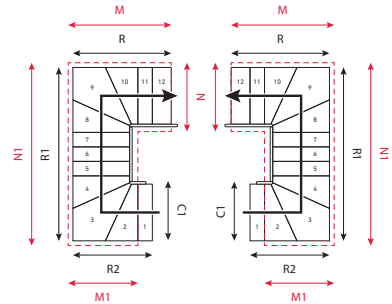
H 221 - 273 cm

— Staircase dimensions incl. Classic banister on 1 side. See p. 5 for staircase width (C1) with Design banister.

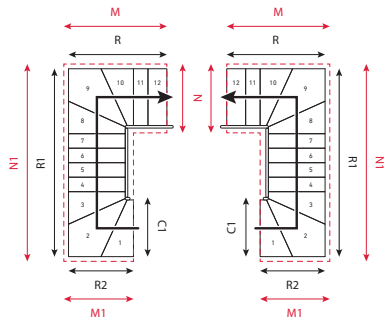
- - Floor opening size is defined based on 2 cm space to wall, 5 cm space for hand, 19 cm rise height, 25 cm deck thickness, 200 cm headspace.



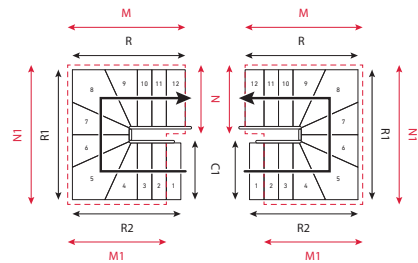
C1 (cm)	R (cm)	R1 (cm)	R2 (cm)	N (cm)	M (cm)	N1 (cm)	M1 (cm)
84	143 - 148	225 - 235	139 - 149	91	145 - 150	229 - 239	119 - 124
94	148 - 153	235 - 245	144 - 154	101	150 - 155	239 - 249	124 - 129



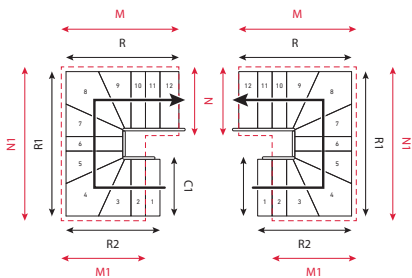
C1 (cm)	R (cm)	R1 (cm)	R2 (cm)	N (cm)	M (cm)	N1 (cm)	M1 (cm)
84	143 - 148	247 - 262	117 - 122	91	145 - 150	251 - 266	97
94	148 - 153	257 - 272	122 - 127	101	150 - 155	261 - 276	101



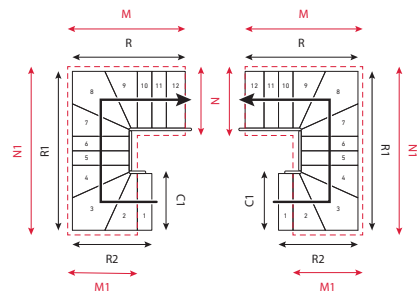
C1 (cm)	R (cm)	R1 (cm)	R2 (cm)	N (cm)	M (cm)	N1 (cm)	M1 (cm)
84	143 - 148	269 - 289	95	91	145 - 150	273 - 293	91
94	148 - 153	279 - 299	100	101	150 - 155	283 - 303	101



C1 (cm)	R (cm)	R1 (cm)	R2 (cm)	N (cm)	M (cm)	N1 (cm)	M1 (cm)
84	165 - 175	181	161 - 176	91	167 - 177	185	141 - 151
94	170 - 180	191	166 - 181	101	172 - 182	195	146 - 156



C1 (cm)	R (cm)	R1 (cm)	R2 (cm)	N (cm)	M (cm)	N1 (cm)	M1 (cm)
84	165 - 175	203 - 208	139 - 149	91	167 - 177	207 - 212	119 - 124
94	170 - 180	213 - 218	144 - 154	101	172 - 182	217 - 222	124 - 129



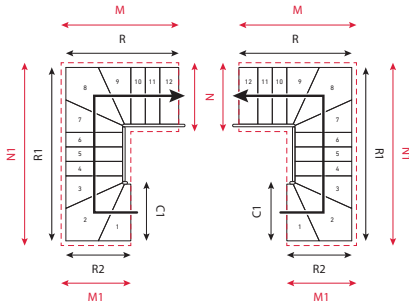
C1 (cm)	R (cm)	R1 (cm)	R2 (cm)	N (cm)	M (cm)	N1 (cm)	M1 (cm)
84	165 - 175	225 - 235	117 - 122	91	167 - 177	229 - 239	97
94	170 - 180	235 - 245	122 - 127	101	172 - 182	239 - 249	101

DUBAI 12 TRENDS - WIDTH 80 & 90 CM

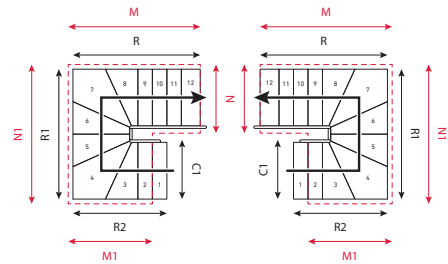
H 221 - 273 cm

— Staircase dimensions incl. Classic banister on 1 side. See p. 5 for staircase width (C1) with Design banister.

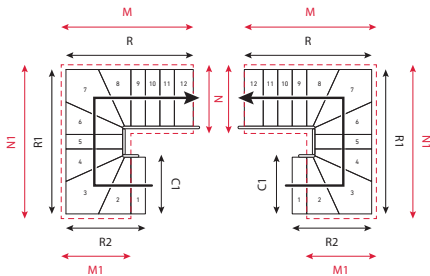
- - Floor opening size is defined based on 2 cm space to wall, 5 cm space for hand, 19 cm rise height, 25 cm deck thickness, 200 cm headspace.



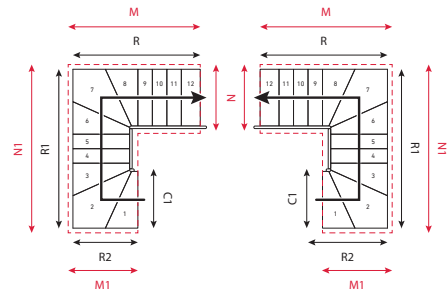
C1 (cm)	R (cm)	R1 (cm)	R2 (cm)	N (cm)	M (cm)	N1 (cm)	M1 (cm)
84	165 - 175	247 - 262	95	91	167 - 177	251 - 266	91
94	170 - 180	257 - 272	100	101	172 - 182	261 - 276	101



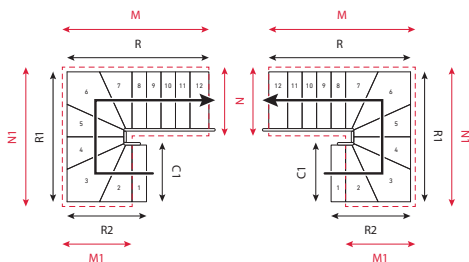
C1 (cm)	R (cm)	R1 (cm)	R2 (cm)	N (cm)	M (cm)	N1 (cm)	M1 (cm)
84	187 - 202	181	139 - 149	91	189 - 204	185	119 - 124
94	192 - 207	191	144 - 154	101	194 - 209	195	124 - 129



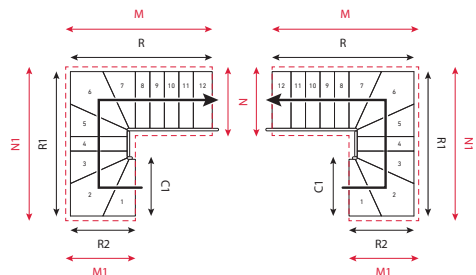
C1 (cm)	R (cm)	R1 (cm)	R2 (cm)	N (cm)	M (cm)	N1 (cm)	M1 (cm)
84	187 - 202	203 - 208	117 - 122	91	187 - 202	207 - 212	97
94	192 - 207	213 - 218	122 - 127	101	192 - 207	217 - 222	101



C1 (cm)	R (cm)	R1 (cm)	R2 (cm)	N (cm)	M (cm)	N1 (cm)	M1 (cm)
84	187 - 202	225 - 235	95	91	189 - 204	229 - 239	91
94	192 - 207	235 - 245	100	101	194 - 209	239 - 249	101



C1 (cm)	R (cm)	R1 (cm)	R2 (cm)	N (cm)	M (cm)	N1 (cm)	M1 (cm)
84	209 - 229	181	117 - 122	91	211 - 231	185	97
94	214 - 234	191	122 - 127	101	216 - 236	195	101



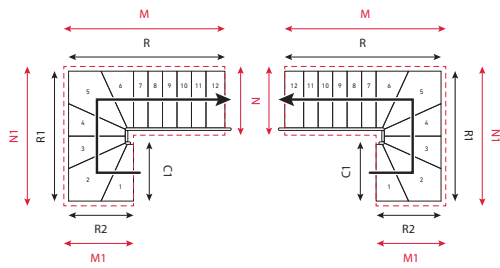
C1 (cm)	R (cm)	R1 (cm)	R2 (cm)	N (cm)	M (cm)	N1 (cm)	M1 (cm)
84	209 - 229	203 - 208	95	91	211 - 231	207 - 212	91
94	214 - 234	213 - 218	100	101	216 - 236	217 - 222	101

DUBAI 12 TREADS - WIDTH 80 & 90 CM

H 221 - 273 cm

— Staircase dimensions incl. Classic banister on 1 side. See p. 5 for staircase width (C1) with Design banister.

- - Floor opening size is defined based on 2 cm space to wall, 5 cm space for hand, 19 cm rise height, 25 cm deck thickness, 200 cm headspace.



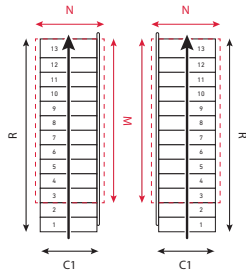
C1 (cm)	R (cm)	R1 (cm)	R2 (cm)	N (cm)	M (cm)	N1 (cm)	M1 (cm)
84	231 - 256	181	95	91	233 - 258	185	91
94	236 - 261	191	100	101	238 - 263	195	101

DUBAI 13 TREADS - WIDTH 80 & 90 CM

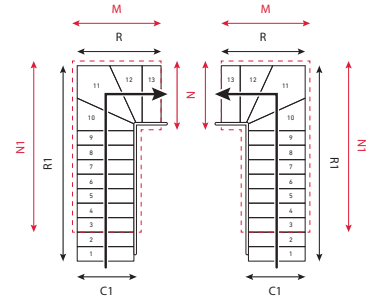
H 238 - 294 cm

— Staircase dimensions incl. Classic banister on 1 side. See p. 5 for staircase width (C1) with Design banister.

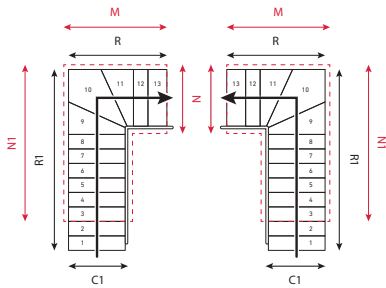
- - Floor opening size is defined based on 2 cm space to wall, 5 cm space for hand, 19 cm rise height, 25 cm deck thickness, 200 cm headspace.



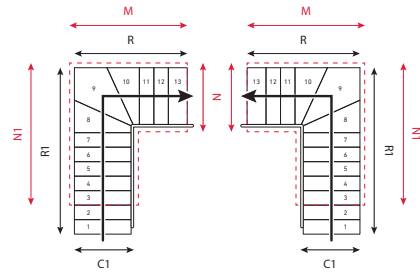
C1 (cm)	R (cm)	N (cm)	M (cm)
84	294 - 354	91	250
94	294 - 354	101	300



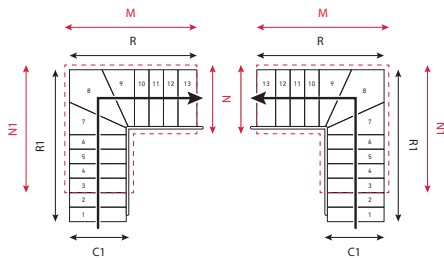
C1 (cm)	R (cm)	R1 (cm)	N (cm)	M (cm)	N1 (cm)
84	121	293 - 338	91	123	251 - 286
94	126	298 - 343	101	128	256 - 291



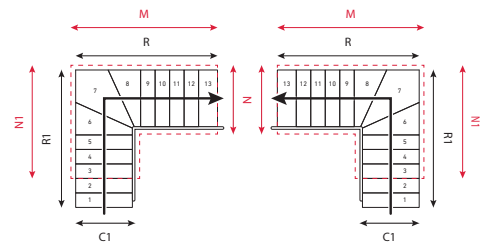
C1 (cm)	R (cm)	R1 (cm)	N (cm)	M (cm)	N1 (cm)
84	143 - 148	271 - 311	91	145 - 150	229 - 259
94	148 - 153	276 - 316	101	150 - 155	234 - 264



C1 (cm)	R (cm)	R1 (cm)	N (cm)	M (cm)	N1 (cm)
84	165 - 175	249 - 284	91	167 - 177	207 - 232
94	170 - 180	254 - 289	101	172 - 182	212 - 237



C1 (cm)	R (cm)	R1 (cm)	N (cm)	M (cm)	N1 (cm)
84	187 - 202	227 - 257	91	189 - 204	185 - 205
94	192 - 207	232 - 262	101	194 - 209	190 - 210



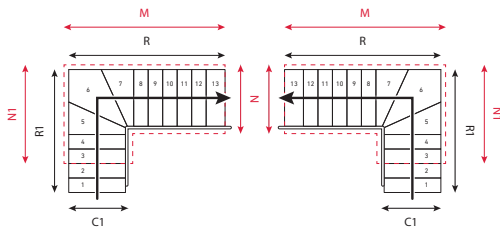
C1 (cm)	R (cm)	R1 (cm)	N (cm)	M (cm)	N1 (cm)
84	209 - 229	205 - 230	91	211 - 231	163 - 178
94	214 - 234	210 - 235	101	216 - 236	168 - 183

DUBAI 13 TREADS - WIDTH 80 & 90 CM

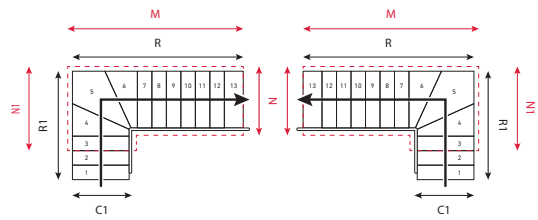
H 238 - 294 cm

— Staircase dimensions incl. Classic banister on 1 side. See p. 5 for staircase width (C1) with Design banister.

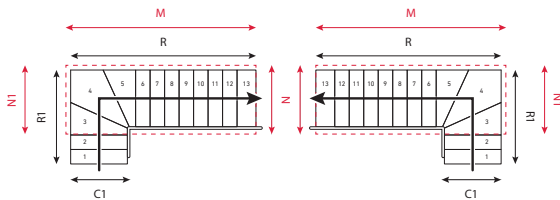
- - - Floor opening size is defined based on 2 cm space to wall, 5 cm space for hand, 19 cm rise height, 25 cm deck thickness, 200 cm headspace.



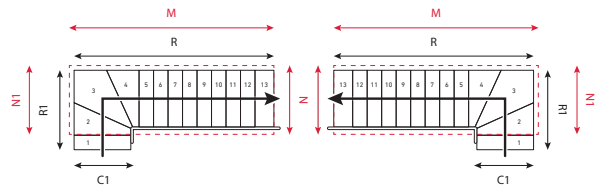
C1 (cm)	R (cm)	R1 (cm)	N (cm)	M (cm)	N1 (cm)
84	231 - 256	183 - 203	91	233 - 258	141 - 151
94	236 - 261	188 - 208	101	238 - 263	146 - 156



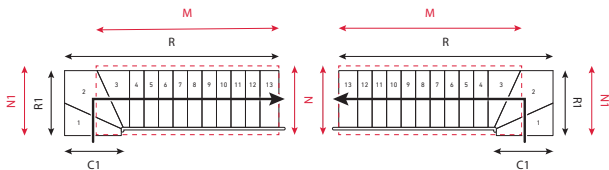
C1 (cm)	R (cm)	R1 (cm)	N (cm)	M (cm)	N1 (cm)
84	253 - 283	161 - 176	91	255 - 285	119 - 124
94	258 - 288	166 - 181	101	260 - 290	124 - 129



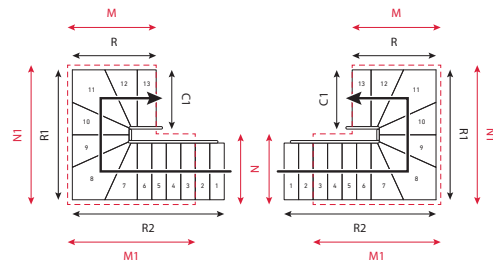
C1 (cm)	R (cm)	R1 (cm)	N (cm)	M (cm)	N1 (cm)
84	275 - 310	139 - 149	91	277 - 312	97
94	280 - 315	144 - 154	101	282 - 317	101



C1 (cm)	R (cm)	R1 (cm)	N (cm)	M (cm)	N1 (cm)
84	297 - 337	117 - 122	91	299 - 339	97
94	302 - 342	122 - 127	101	304 - 344	101



C1 (cm)	R (cm)	R1 (cm)	N (cm)	M (cm)	N1 (cm)
84	319 - 364	95	91	282 - 327	91
94	324 - 369	100	101	285 - 330	101



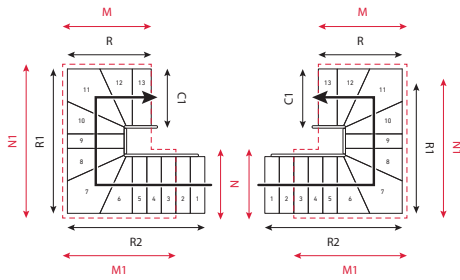
C1 (cm)	R (cm)	R1 (cm)	R2 (cm)	N (cm)	M (cm)	N1 (cm)	M1 (cm)
84	121	181	227 - 257	91	123	185	185 - 205
94	126	191	232 - 262	101	128	195	190 - 210

DUBAI 13 TREADS - WIDTH 80 & 90 CM

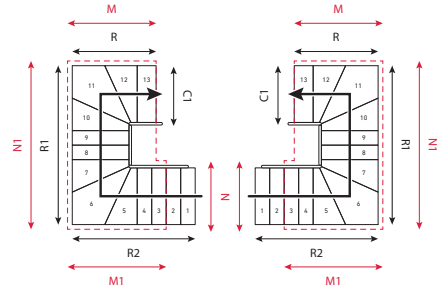
H 238 - 294 cm

— Staircase dimensions incl. Classic banister on 1 side. See p. 5 for staircase width (C1) with Design banister.

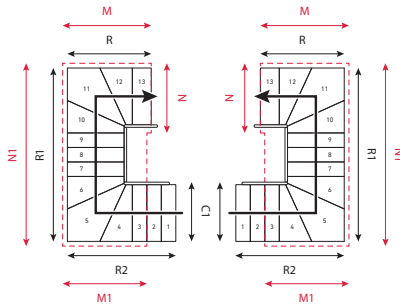
- - - Floor opening size is defined based on 2 cm space to wall, 5 cm space for hand, 19 cm rise height, 25 cm deck thickness, 200 cm headspace.



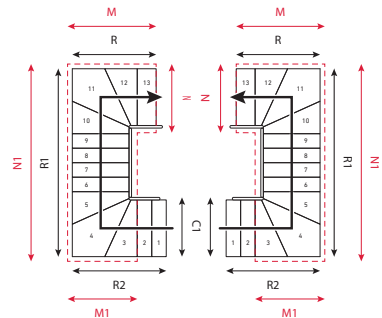
C1 (cm)	R (cm)	R1 (cm)	R2 (cm)	N (cm)	M (cm)	N1 (cm)	M1 (cm)
84	121	203 - 208	205 - 230	91	123	207 - 212	163 - 178
94	126	213 - 218	210 - 235	101	128	217 - 222	168 - 183



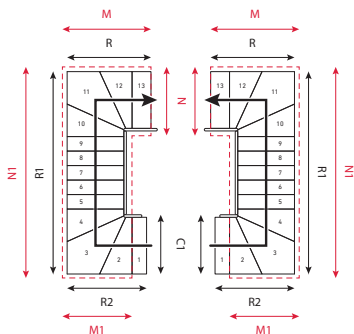
C1 (cm)	R (cm)	R1 (cm)	R2 (cm)	N (cm)	M (cm)	N1 (cm)	M1 (cm)
84	121	225 - 235	183 - 203	91	123	229 - 239	141 - 151
94	126	235 - 245	188 - 208	101	128	239 - 249	146 - 156



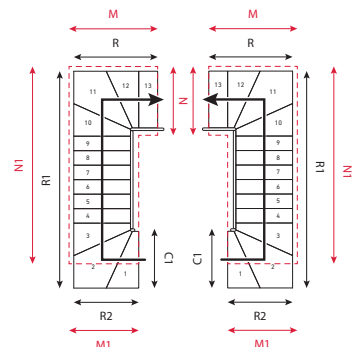
C1 (cm)	R (cm)	R1 (cm)	R2 (cm)	N (cm)	M (cm)	N1 (cm)	M1 (cm)
84	121	247 - 262	161 - 176	91	123	251 - 266	119 - 124
94	126	257 - 272	166 - 181	101	128	261 - 276	124 - 129



C1 (cm)	R (cm)	R1 (cm)	R2 (cm)	N (cm)	M (cm)	N1 (cm)	M1 (cm)
84	121	269 - 289	139 - 149	91	123	273 - 293	97
94	126	279 - 299	144 - 154	101	128	283 - 303	101



C1 (cm)	R (cm)	R1 (cm)	R2 (cm)	N (cm)	M (cm)	N1 (cm)	M1 (cm)
84	121	291 - 316	117 - 122	91	123	295 - 320	97
94	126	301 - 326	122 - 127	101	128	305 - 330	101



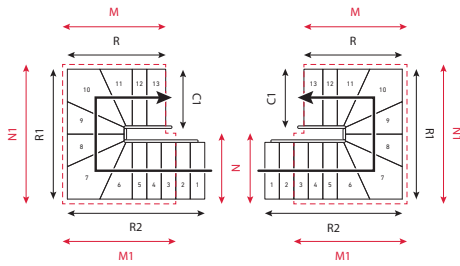
C1 (cm)	R (cm)	R1 (cm)	R2 (cm)	N (cm)	M (cm)	N1 (cm)	M1 (cm)
84	121	313 - 343	95	91	123	295 - 340	91
94	126	323 - 353	100	101	128	300 - 345	101

DUBAI 13 TREADS - WIDTH 80 & 90 CM

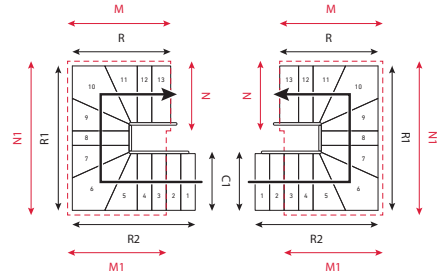
H 238 - 294 cm

— Staircase dimensions incl. Classic banister on 1 side. See p. 5 for staircase width (C1) with Design banister.

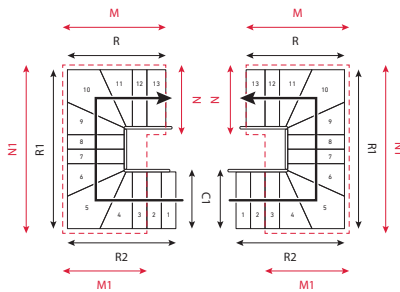
- - Floor opening size is defined based on 2 cm space to wall, 5 cm space for hand, 19 cm rise height, 25 cm deck thickness, 200 cm headspace.



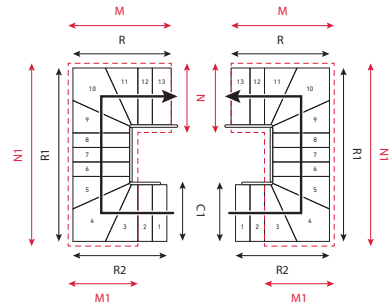
C1 (cm)	R (cm)	R1 (cm)	R2 (cm)	N (cm)	M (cm)	N1 (cm)	M1 (cm)
84	143 - 148	181	205 - 230	91	145 - 150	185	163 - 178
94	148 - 153	191	210 - 235	101	150 - 155	195	168 - 183



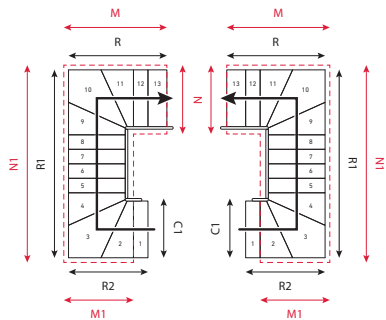
C1 (cm)	R (cm)	R1 (cm)	R2 (cm)	N (cm)	M (cm)	N1 (cm)	M1 (cm)
84	143 - 148	203 - 208	183 - 203	91	145 - 150	207 - 212	141 - 151
94	148 - 153	213 - 218	188 - 208	101	150 - 155	217 - 222	146 - 156



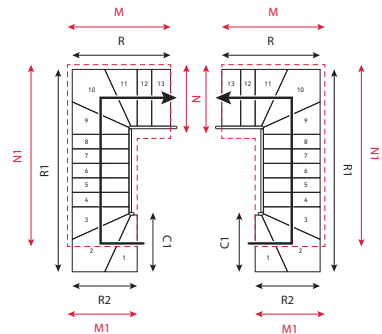
C1 (cm)	R (cm)	R1 (cm)	R2 (cm)	N (cm)	M (cm)	N1 (cm)	M1 (cm)
84	143 - 148	225 - 235	161 - 176	91	145 - 150	229 - 239	119 - 124
94	148 - 153	235 - 245	166 - 181	101	150 - 155	239 - 249	124 - 129



C1 (cm)	R (cm)	R1 (cm)	R2 (cm)	N (cm)	M (cm)	N1 (cm)	M1 (cm)
84	143 - 148	247 - 262	139 - 149	91	145 - 150	251 - 266	97
94	148 - 153	257 - 272	144 - 154	101	150 - 155	261 - 276	101



C1 (cm)	R (cm)	R1 (cm)	R2 (cm)	N (cm)	M (cm)	N1 (cm)	M1 (cm)
84	143 - 148	269 - 289	117 - 122	91	145 - 150	273 - 293	97
94	148 - 153	279 - 299	122 - 127	101	150 - 155	283 - 303	101



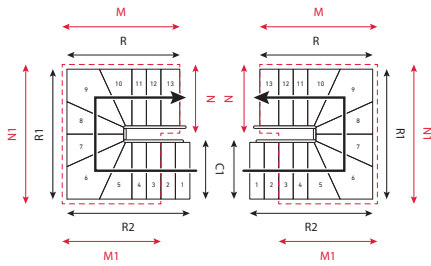
C1 (cm)	R (cm)	R1 (cm)	R2 (cm)	N (cm)	M (cm)	N1 (cm)	M1 (cm)
84	143 - 148	291 - 316	95	91	145 - 150	257 - 282	91
94	148 - 153	301 - 326	100	101	150 - 155	265 - 290	101

DUBAI 13 TREADS - WIDTH 80 & 90 CM

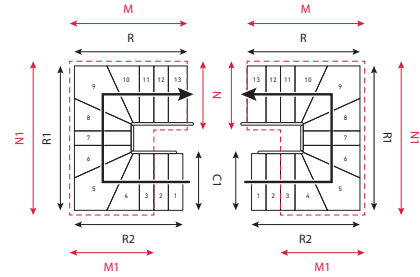
H 238 - 294 cm

— Staircase dimensions incl. Classic banister on 1 side. See p. 5 for staircase width (C1) with Design banister.

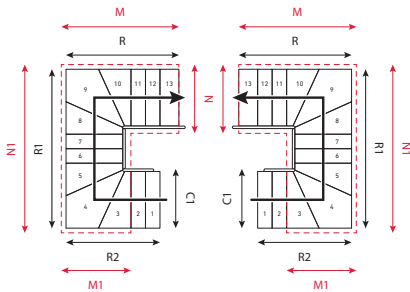
- - Floor opening size is defined based on 2 cm space to wall, 5 cm space for hand, 19 cm rise height, 25 cm deck thickness, 200 cm headspace.



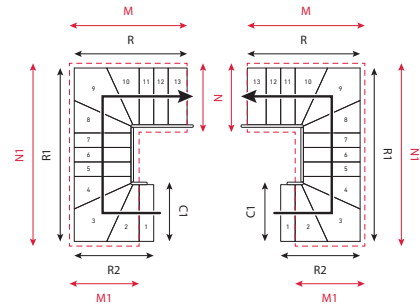
C1 (cm)	R (cm)	R1 (cm)	R2 (cm)	N (cm)	M (cm)	N1 (cm)	M1 (cm)
84	165 - 175	181	183 - 203	91	167 - 177	185	141 - 151
94	170 - 180	191	188 - 208	101	172 - 182	195	146 - 156



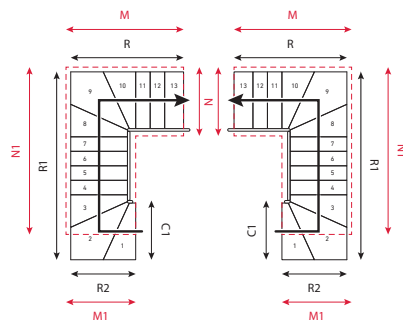
C1 (cm)	R (cm)	R1 (cm)	R2 (cm)	N (cm)	M (cm)	N1 (cm)	M1 (cm)
84	165 - 175	203 - 208	161 - 176	91	167 - 177	207 - 212	119 - 124
94	170 - 180	213 - 218	166 - 181	101	172 - 182	217 - 222	124 - 129



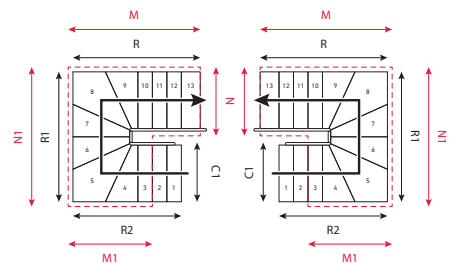
C1 (cm)	R (cm)	R1 (cm)	R2 (cm)	N (cm)	M (cm)	N1 (cm)	M1 (cm)
84	165 - 175	225 - 235	139 - 149	91	167 - 177	229 - 239	97
94	170 - 180	235 - 245	144 - 154	101	172 - 182	239 - 249	101



C1 (cm)	R (cm)	R1 (cm)	R2 (cm)	N (cm)	M (cm)	N1 (cm)	M1 (cm)
84	165 - 175	247 - 262	117 - 122	91	167 - 177	251 - 266	91
94	170 - 180	257 - 272	122 - 127	101	172 - 182	261 - 276	101



C1 (cm)	R (cm)	R1 (cm)	R2 (cm)	N (cm)	M (cm)	N1 (cm)	M1 (cm)
84	165 - 175	269 - 289	95	91	167 - 177	235 - 255	91
94	170 - 180	279 - 299	100	101	172 - 182	243 - 263	101



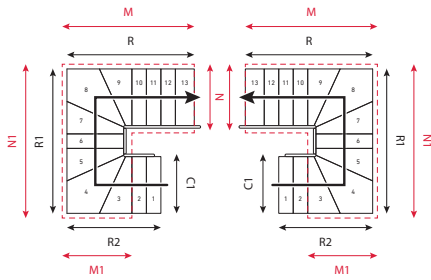
C1 (cm)	R (cm)	R1 (cm)	R2 (cm)	N (cm)	M (cm)	N1 (cm)	M1 (cm)
84	187 - 202	181	161 - 176	91	189 - 204	185	119 - 124
94	192 - 207	191	166 - 181	101	194 - 209	195	124 - 129

DUBAI 13 TREADS - WIDTH 80 & 90 CM

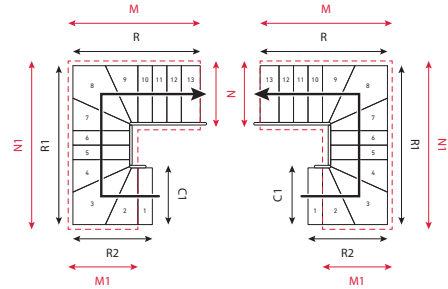
H 238 - 294 cm

— Staircase dimensions incl. Classic banister on 1 side. See p. 5 for staircase width (C1) with Design banister.

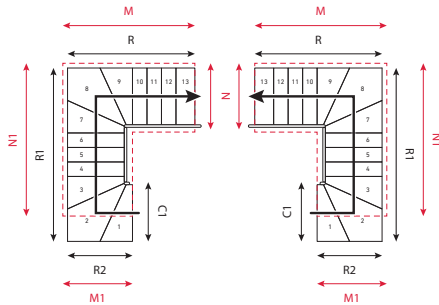
- - Floor opening size is defined based on 2 cm space to wall, 5 cm space for hand, 19 cm rise height, 25 cm deck thickness, 200 cm headspace.



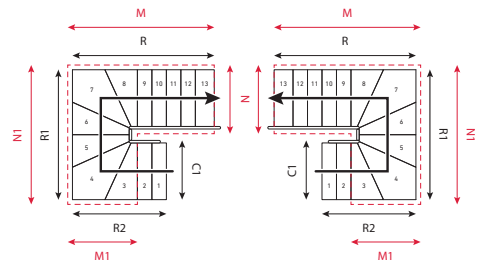
C1 (cm)	R (cm)	R1 (cm)	R2 (cm)	N (cm)	M (cm)	N1 (cm)	M1 (cm)
84	187 - 202	203 - 208	139 - 149	91	189 - 204	207 - 212	97
94	192 - 207	213 - 218	144 - 154	101	194 - 209	217 - 222	101



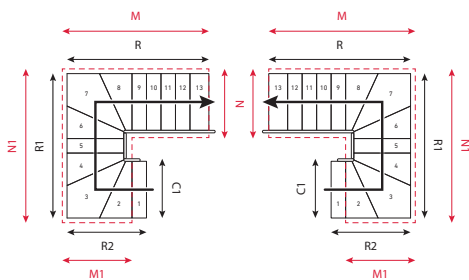
C1 (cm)	R (cm)	R1 (cm)	R2 (cm)	N (cm)	M (cm)	N1 (cm)	M1 (cm)
84	187 - 202	225 - 235	117 - 122	91	189 - 204	229 - 239	91
94	192 - 207	235 - 245	122 - 127	101	194 - 209	239 - 249	101



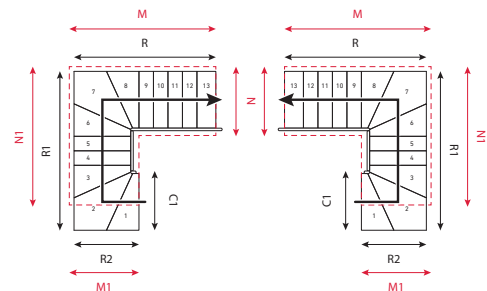
C1 (cm)	R (cm)	R1 (cm)	R2 (cm)	N (cm)	M (cm)	N1 (cm)	M1 (cm)
84	187 - 202	247 - 262	95	91	189 - 204	213 - 228	91
94	192 - 207	257 - 272	100	101	194 - 209	234 - 264	101



C1 (cm)	R (cm)	R1 (cm)	R2 (cm)	N (cm)	M (cm)	N1 (cm)	M1 (cm)
84	209 - 229	181	139 - 149	91	211 - 231	185	97
94	214 - 234	191	144 - 154	101	216 - 236	195	101



C1 (cm)	R (cm)	R1 (cm)	R2 (cm)	N (cm)	M (cm)	N1 (cm)	M1 (cm)
84	209 - 229	203 - 208	117 - 122	91	211 - 231	207 - 212	91
94	214 - 234	213 - 218	122 - 127	101	216 - 236	217 - 222	101



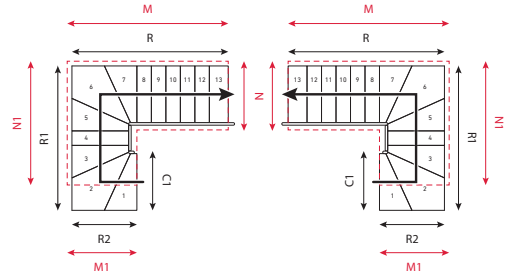
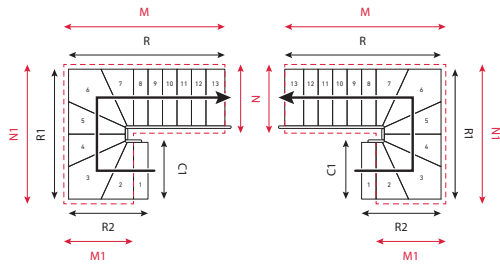
C1 (cm)	R (cm)	R1 (cm)	R2 (cm)	N (cm)	M (cm)	N1 (cm)	M1 (cm)
84	209 - 229	225 - 235	95	91	211 - 231	191 - 201	91
94	214 - 234	235 - 245	100	101	216 - 236	199 - 209	101

DUBAI 13 TREADS - WIDTH 80 & 90 CM

H 238 - 294 cm

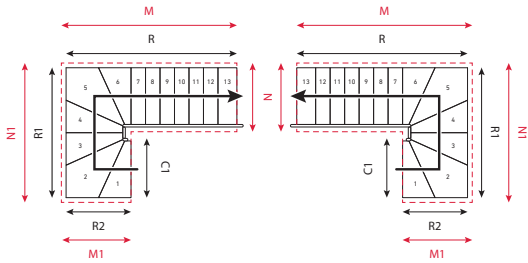
— Staircase dimensions incl. Classic banister on 1 side. See p. 5 for staircase width (C1) with Design banister.

- - - Floor opening size is defined based on 2 cm space to wall, 5 cm space for hand, 19 cm rise height, 25 cm deck thickness, 200 cm headspace.



C1 (cm)	R (cm)	R1 (cm)	R2 (cm)	N (cm)	M (cm)	N1 (cm)	M1 (cm)
84	231 - 256	181	117 - 122	91	233 - 258	185	91
94	236 - 261	191	122 - 127	101	238 - 263	195	101

C1 (cm)	R (cm)	R1 (cm)	R2 (cm)	N (cm)	M (cm)	N1 (cm)	M1 (cm)
84	231 - 256	203 - 208	95	91	233 - 258	169 - 174	91
94	236 - 261	213 - 218	100	101	238 - 263	177 - 182	101



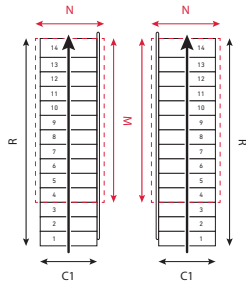
C1 (cm)	R (cm)	R1 (cm)	R2 (cm)	N (cm)	M (cm)	N1 (cm)	M1 (cm)
84	253 - 283	181	95	91	255 - 285	185	91
94	258 - 288	191	100	101	260 - 290	195	101

DUBAI 14 TREADS - WIDTH 80 & 90 CM

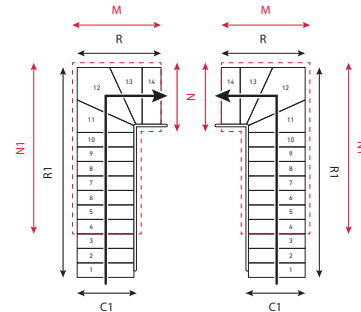
H 255 - 315 cm

— Staircase dimensions incl. Classic banister on 1 side. See p. 5 for staircase width (C1) with Design banister.

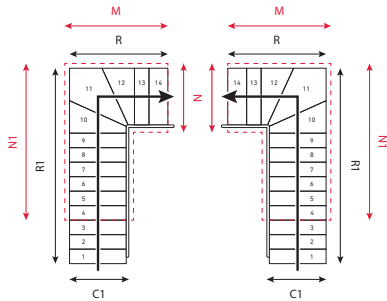
- - Floor opening size is defined based on 2 cm space to wall, 5 cm space for hand, 19 cm rise height, 25 cm deck thickness, 200 cm headspace.



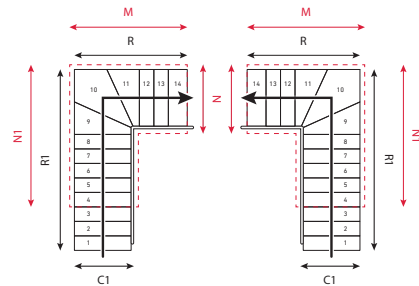
C1 (cm)	R (cm)	N (cm)	M (cm)
84	316 - 381	91	250 - 300
94	316 - 381	101	250 - 300



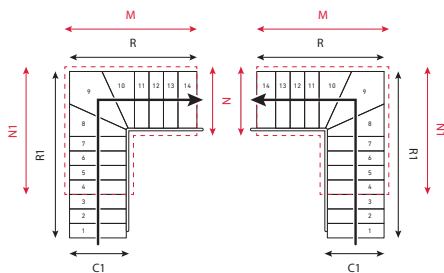
C1 (cm)	R (cm)	R1 (cm)	N (cm)	M (cm)	N1 (cm)
84	121	315 - 365	91	123	251 - 286
94	126	320 - 370	101	128	256 - 291



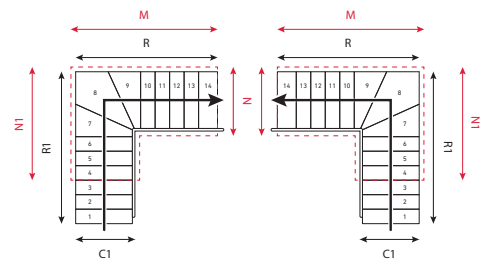
C1 (cm)	R (cm)	R1 (cm)	N (cm)	M (cm)	N1 (cm)
84	143 - 148	293 - 338	91	145 - 150	229 - 259
94	148 - 153	298 - 343	101	150 - 155	234 - 264



C1 (cm)	R (cm)	R1 (cm)	N (cm)	M (cm)	N1 (cm)
84	165 - 175	271 - 311	91	167 - 177	207 - 232
94	170 - 180	276 - 316	101	172 - 182	212 - 237



C1 (cm)	R (cm)	R1 (cm)	N (cm)	M (cm)	N1 (cm)
84	187 - 202	249 - 284	91	189 - 204	185 - 205
94	192 - 207	254 - 289	101	194 - 209	190 - 210



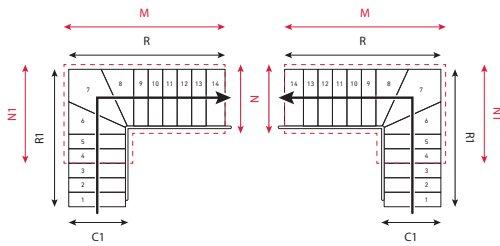
C1 (cm)	R (cm)	R1 (cm)	N (cm)	M (cm)	N1 (cm)
84	209 - 229	227 - 257	91	211 - 231	163 - 178
94	214 - 234	232 - 262	101	216 - 236	168 - 183

DUBAI 14 TREADS - WIDTH 80 & 90 CM

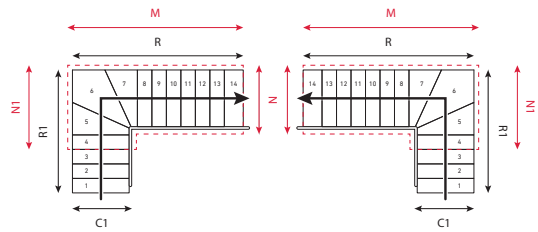
H 255 - 315 cm

— Staircase dimensions incl. Classic banister on 1 side. See p. 5 for staircase width (C1) with Design banister.

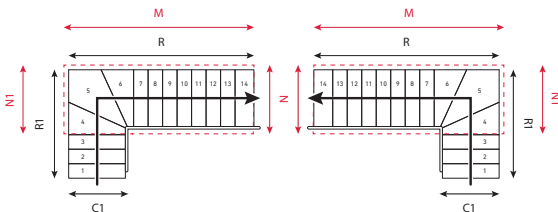
- - Floor opening size is defined based on 2 cm space to wall, 5 cm space for hand, 19 cm rise height, 25 cm deck thickness, 200 cm headspace.



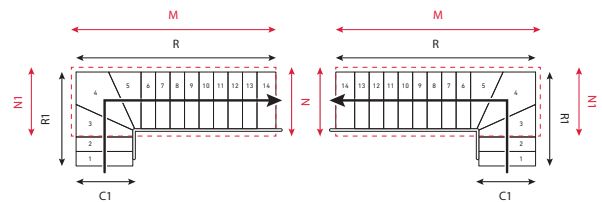
C1 (cm)	R (cm)	R1 (cm)	N (cm)	M (cm)	N1 (cm)
84	231 - 256	205 - 230	91	233 - 258	141 - 151
94	236 - 261	210 - 235	101	238 - 263	146 - 156



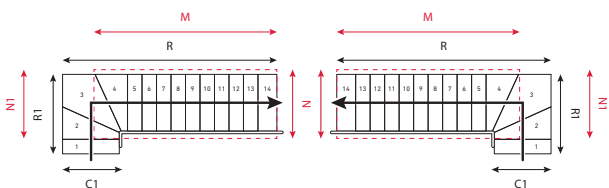
C1 (cm)	R (cm)	R1 (cm)	N (cm)	M (cm)	N1 (cm)
84	253 - 283	183 - 203	91	255 - 285	119 - 124
94	258 - 288	188 - 208	101	260 - 290	124 - 129



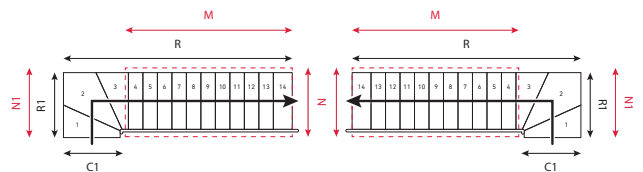
C1 (cm)	R (cm)	R1 (cm)	N (cm)	M (cm)	N1 (cm)
84	275 - 310	161 - 176	91	277 - 312	97
94	280 - 315	166 - 181	101	282 - 317	101



C1 (cm)	R (cm)	R1 (cm)	N (cm)	M (cm)	N1 (cm)
84	297 - 337	139 - 149	91	299 - 339	91
94	302 - 342	144 - 154	101	304 - 344	101



C1 (cm)	R (cm)	R1 (cm)	N (cm)	M (cm)	N1 (cm)
84	319 - 364	117 - 122	91	282 - 327	91
94	324 - 369	122 - 127	101	285 - 330	101



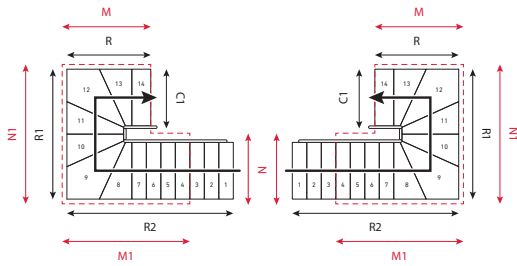
C1 (cm)	R (cm)	R1 (cm)	N (cm)	M (cm)	N1 (cm)
84	341 - 391	95	91	250 - 300	91
94	346 - 396	100	101	250 - 300	101

DUBAI 14 TREADS - WIDTH 80 & 90 CM

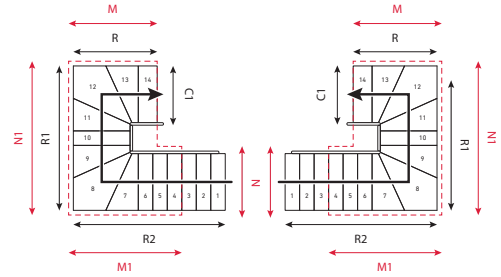
H 255 - 315 cm

— Staircase dimensions incl. Classic banister on 1 side. See p. 5 for staircase width (C1) with Design banister.

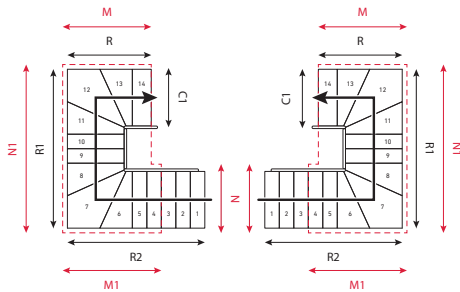
- - - Floor opening size is defined based on 2 cm space to wall, 5 cm space for hand, 19 cm rise height, 25 cm deck thickness, 200 cm headspace.



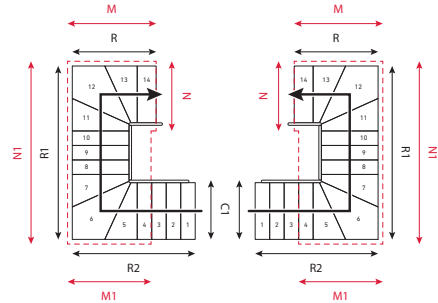
C1 (cm)	R (cm)	R1 (cm)	R2 (cm)	N (cm)	M (cm)	N1 (cm)	M1 (cm)
84	121	181	249 - 284	91	123	185	185 - 205
94	126	191	254 - 289	101	128	195	190 - 210



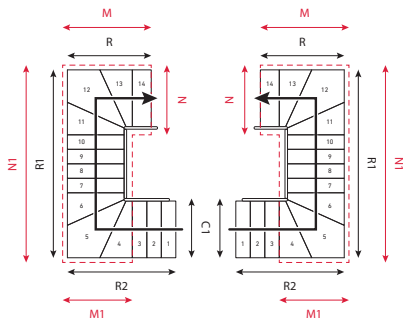
C1 (cm)	R (cm)	R1 (cm)	R2 (cm)	N (cm)	M (cm)	N1 (cm)	M1 (cm)
84	121	203 - 208	227 - 257	91	123	207 - 212	163 - 178
94	126	213 - 218	232 - 262	101	128	217 - 222	168 - 183



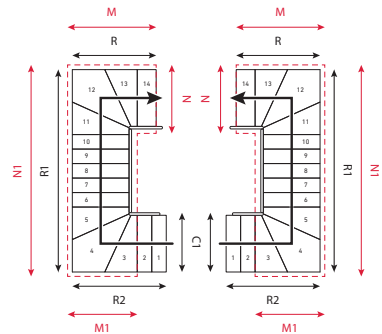
C1 (cm)	R (cm)	R1 (cm)	R2 (cm)	N (cm)	M (cm)	N1 (cm)	M1 (cm)
84	121	225 - 235	205 - 320	91	123	229 - 239	141 - 151
94	126	235 - 245	210 - 235	101	128	239 - 249	146 - 156



C1 (cm)	R (cm)	R1 (cm)	R2 (cm)	N (cm)	M (cm)	N1 (cm)	M1 (cm)
84	121	247 - 262	183 - 203	91	123	251 - 266	119 - 124
94	126	257 - 272	188 - 208	101	128	261 - 276	124 - 129



C1 (cm)	R (cm)	R1 (cm)	R2 (cm)	N (cm)	M (cm)	N1 (cm)	M1 (cm)
84	121	269 - 289	161 - 176	91	123	273 - 293	97
94	126	279 - 299	166 - 181	101	128	283 - 303	101



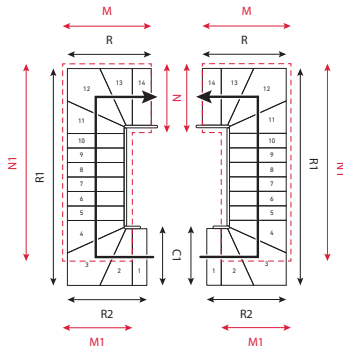
C1 (cm)	R (cm)	R1 (cm)	R2 (cm)	N (cm)	M (cm)	N1 (cm)	M1 (cm)
84	121	291 - 316	139 - 149	91	123	295 - 320	91
94	126	301 - 326	144 - 154	101	128	305 - 330	101

DUBAI 14 TREADS - WIDTH 80 & 90 CM

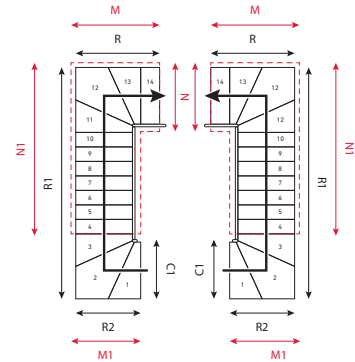
H 255 - 315 cm

— Staircase dimensions incl. Classic banister on 1 side. See p. 5 for staircase width (C1) with Design banister.

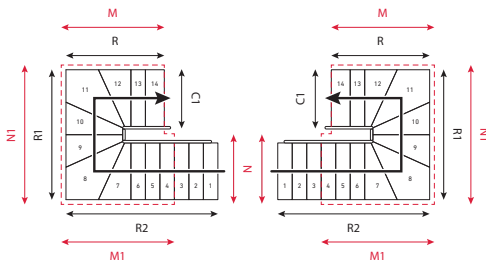
- - Floor opening size is defined based on 2 cm space to wall, 5 cm space for hand, 19 cm rise height, 25 cm deck thickness, 200 cm headspace.



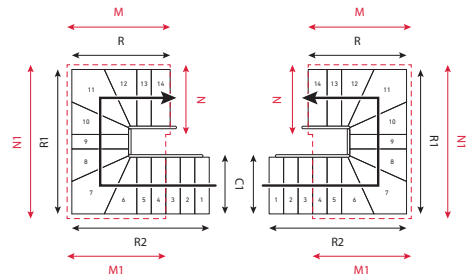
C1 (cm)	R (cm)	R1 (cm)	R2 (cm)	N (cm)	M (cm)	NI (cm)	M1 (cm)
84	121	313 - 343	117 - 122	91	123	279 - 309	91
94	126	323 - 353	122 - 127	101	128	287 - 317	101



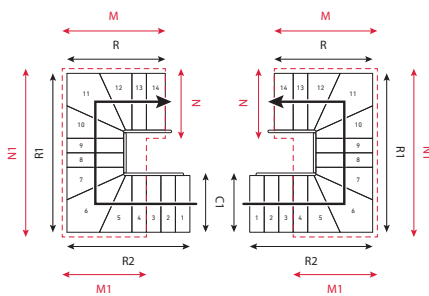
C1 (cm)	R (cm)	R1 (cm)	R2 (cm)	N (cm)	M (cm)	NI (cm)	M1 (cm)
84	121	335 - 370	95	91	123	251 - 286	91
94	126	345 - 380	100	101	128	256 - 291	101



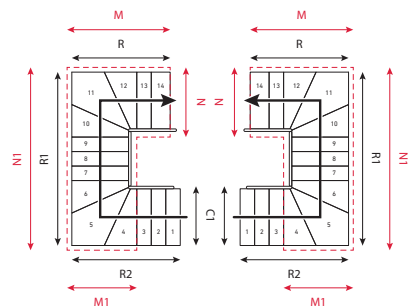
C1 (cm)	R (cm)	R1 (cm)	R2 (cm)	N (cm)	M (cm)	NI (cm)	M1 (cm)
84	143 - 148	181	227 - 257	91	145 - 150	185	163 - 178
94	148 - 153	191	232 - 262	101	150 - 155	195	168 - 183



C1 (cm)	R (cm)	R1 (cm)	R2 (cm)	N (cm)	M (cm)	NI (cm)	M1 (cm)
84	143 - 148	203 - 208	205 - 230	91	145 - 150	207 - 212	141 - 151
94	148 - 153	213 - 218	210 - 235	101	150 - 155	217 - 222	146 - 156



C1 (cm)	R (cm)	R1 (cm)	R2 (cm)	N (cm)	M (cm)	NI (cm)	M1 (cm)
84	143 - 148	225 - 235	183 - 203	91	145 - 150	229 - 239	119 - 124
94	148 - 153	235 - 245	188 - 208	101	150 - 155	239 - 249	124 - 129



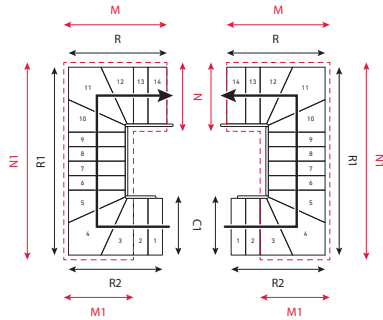
C1 (cm)	R (cm)	R1 (cm)	R2 (cm)	N (cm)	M (cm)	NI (cm)	M1 (cm)
84	143 - 148	247 - 262	161 - 176	91	145 - 150	251 - 266	97
94	148 - 153	257 - 272	166 - 181	101	150 - 155	261 - 276	101

DUBAI 14 TREADS - WIDTH 80 & 90 CM

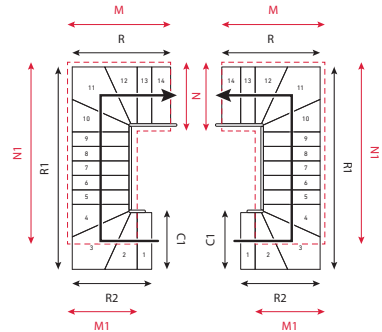
H 255 - 315 cm

— Staircase dimensions incl. Classic banister on 1 side. See p. 5 for staircase width (C1) with Design banister.

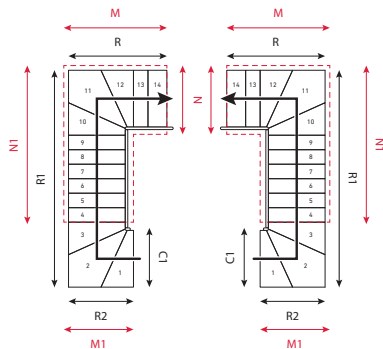
- - Floor opening size is defined based on 2 cm space to wall, 5 cm space for hand, 19 cm rise height, 25 cm deck thickness, 200 cm headspace.



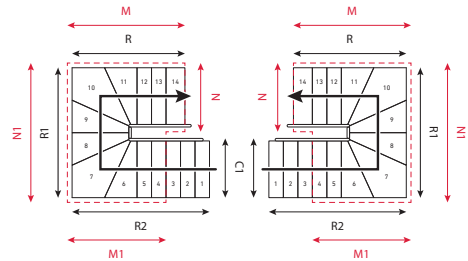
C1 (cm)	R (cm)	R1 (cm)	R2 (cm)	N (cm)	M (cm)	N1 (cm)	M1 (cm)
84	143 - 148	269 - 289	139 - 149	91	145 - 150	273 - 293	91
94	148 - 153	279 - 299	144 - 154	101	150 - 155	283 - 303	101



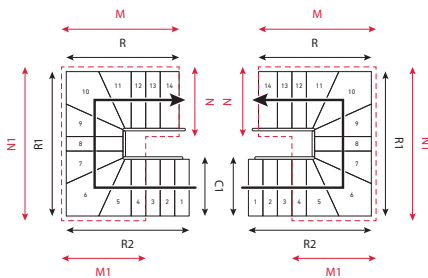
C1 (cm)	R (cm)	R1 (cm)	R2 (cm)	N (cm)	M (cm)	N1 (cm)	M1 (cm)
84	143 - 148	291 - 316	117 - 122	91	145 - 150	257 - 282	91
94	148 - 153	301 - 326	122 - 127	101	150 - 155	265 - 290	101



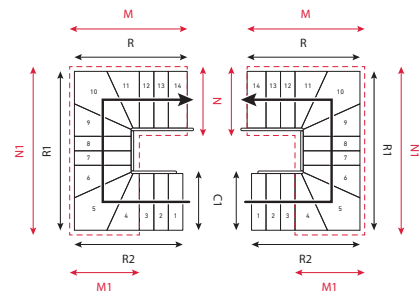
C1 (cm)	R (cm)	R1 (cm)	R2 (cm)	N (cm)	M (cm)	N1 (cm)	M1 (cm)
84	143 - 148	313 - 343	95	91	145 - 150	229 - 259	91
94	148 - 153	323 - 353	100	101	150 - 155	234 - 264	101



C1 (cm)	R (cm)	R1 (cm)	R2 (cm)	N (cm)	M (cm)	N1 (cm)	M1 (cm)
84	165 - 175	181	205 - 230	91	167 - 177	185	141 - 151
94	170 - 180	191	210 - 235	101	172 - 182	195	146 - 156



C1 (cm)	R (cm)	R1 (cm)	R2 (cm)	N (cm)	M (cm)	N1 (cm)	M1 (cm)
84	165 - 175	203 - 208	183 - 203	91	167 - 177	207 - 212	119 - 124
94	170 - 180	213 - 218	188 - 208	101	172 - 182	217 - 222	124 - 129



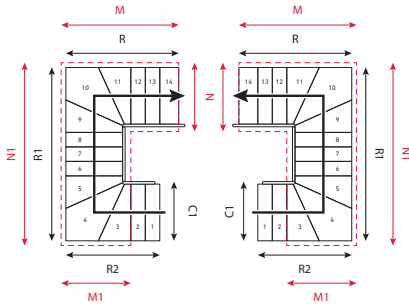
C1 (cm)	R (cm)	R1 (cm)	R2 (cm)	N (cm)	M (cm)	N1 (cm)	M1 (cm)
84	165 - 175	225 - 235	161 - 176	91	167 - 177	229 - 239	97
94	170 - 180	235 - 245	166 - 181	101	172 - 182	239 - 249	101

DUBAI 14 TREADS - WIDTH 80 & 90 CM

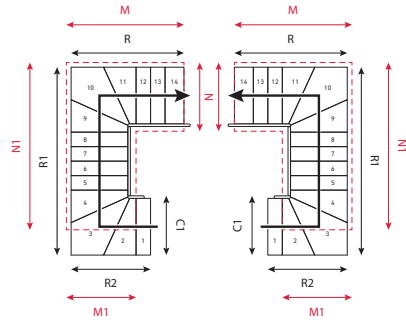
H 255 - 315 cm

— Staircase dimensions incl. Classic banister on 1 side. See p. 5 for staircase width (C1) with Design banister.

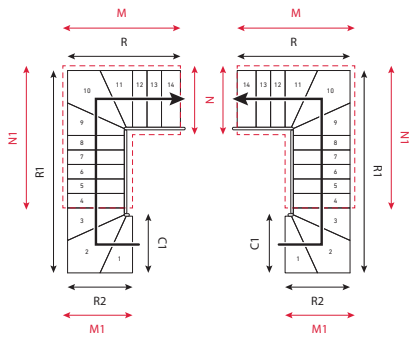
- - Floor opening size is defined based on 2 cm space to wall, 5 cm space for hand, 19 cm rise height, 25 cm deck thickness, 200 cm headspace.



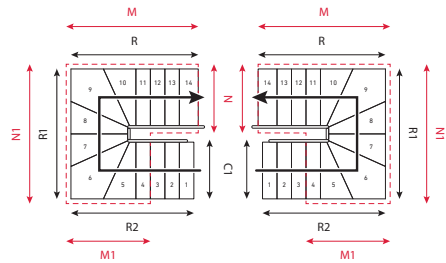
C1 (cm)	R (cm)	R1 (cm)	R2 (cm)	N (cm)	M (cm)	N1 (cm)	M1 (cm)
84	165 - 175	247 - 262	139 - 149	91	167 - 177	251 - 266	91
94	170 - 180	257 - 272	144 - 154	101	172 - 182	261 - 276	101



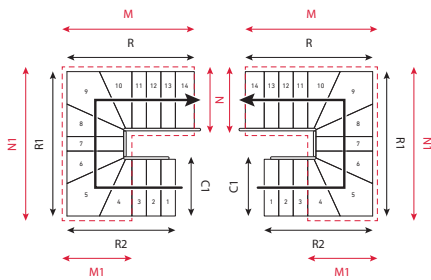
C1 (cm)	R (cm)	R1 (cm)	R2 (cm)	N (cm)	M (cm)	N1 (cm)	M1 (cm)
84	165 - 175	269 - 289	117 - 122	91	167 - 177	235 - 255	91
94	170 - 180	279 - 299	122 - 127	101	172 - 182	243 - 263	101



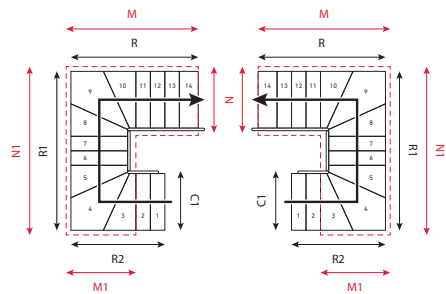
C1 (cm)	R (cm)	R1 (cm)	R2 (cm)	N (cm)	M (cm)	N1 (cm)	M1 (cm)
84	165 - 175	291 - 316	95	91	167 - 177	207 - 232	91
94	170 - 180	301 - 326	100	101	172 - 182	212 - 237	101



C1 (cm)	R (cm)	R1 (cm)	R2 (cm)	N (cm)	M (cm)	N1 (cm)	M1 (cm)
84	187 - 202	181	183 - 203	91	189 - 204	185	119 - 124
94	192 - 207	191	188 - 208	101	194 - 209	195	124 - 129



C1 (cm)	R (cm)	R1 (cm)	R2 (cm)	N (cm)	M (cm)	N1 (cm)	M1 (cm)
84	187 - 202	203 - 208	161 - 176	91	189 - 204	207 - 212	97
94	192 - 207	213 - 218	166 - 181	101	194 - 209	217 - 222	101



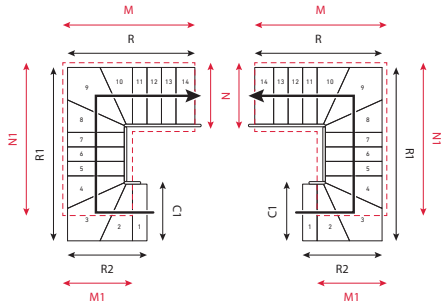
C1 (cm)	R (cm)	R1 (cm)	R2 (cm)	N (cm)	M (cm)	N1 (cm)	M1 (cm)
84	187 - 202	225 - 235	139 - 149	91	189 - 204	229 - 239	91
94	192 - 207	235 - 245	144 - 154	101	194 - 209	239 - 249	101

DUBAI 14 TREADS - WIDTH 80 & 90 CM

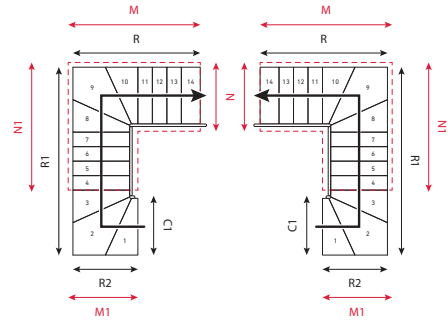
H 255 - 315 cm

— Staircase dimensions incl. Classic banister on 1 side. See p. 5 for staircase width (C1) with Design banister.

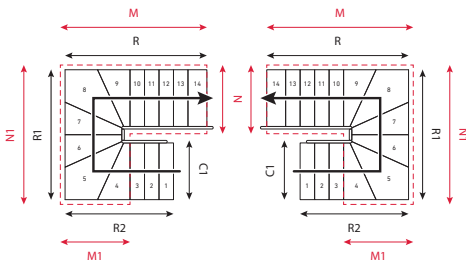
- - Floor opening size is defined based on 2 cm space to wall, 5 cm space for hand, 19 cm rise height, 25 cm deck thickness, 200 cm headspace.



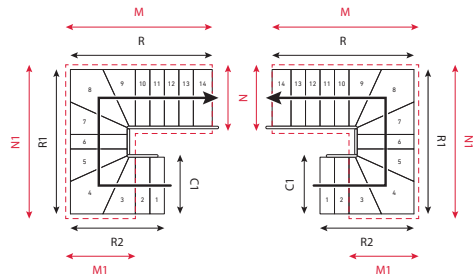
C1 (cm)	R (cm)	R1 (cm)	R2 (cm)	N (cm)	M (cm)	N1 (cm)	M1 (cm)
84	187 - 202	247 - 262	117 - 122	91	189 - 204	213 - 228	91
94	192 - 207	257 - 272	122 - 127	101	194 - 209	221 - 236	101



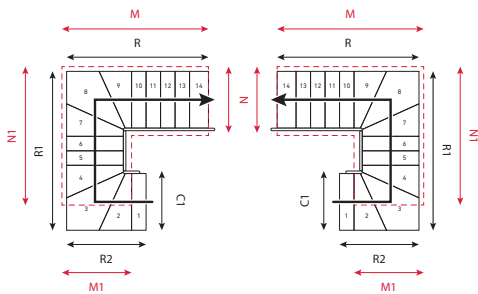
C1 (cm)	R (cm)	R1 (cm)	R2 (cm)	N (cm)	M (cm)	N1 (cm)	M1 (cm)
84	187 - 202	269 - 289	95	91	189 - 204	185 - 205	91
94	192 - 207	279 - 299	100	101	194 - 209	190 - 210	101



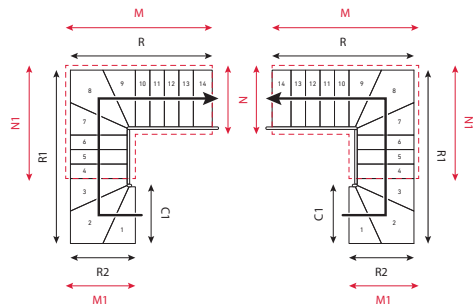
C1 (cm)	R (cm)	R1 (cm)	R2 (cm)	N (cm)	M (cm)	N1 (cm)	M1 (cm)
84	209 - 229	181	161 - 176	91	211 - 231	185	97
94	214 - 234	191	166 - 181	101	216 - 236	195	101



C1 (cm)	R (cm)	R1 (cm)	R2 (cm)	N (cm)	M (cm)	N1 (cm)	M1 (cm)
84	209 - 229	203 - 208	139 - 149	91	211 - 231	207 - 212	91
94	214 - 234	213 - 218	144 - 154	101	216 - 236	217 - 222	101



C1 (cm)	R (cm)	R1 (cm)	R2 (cm)	N (cm)	M (cm)	N1 (cm)	M1 (cm)
84	209 - 229	225 - 235	117 - 122	91	211 - 231	191 - 201	91
94	214 - 234	235 - 245	122 - 127	101	216 - 236	199 - 209	101



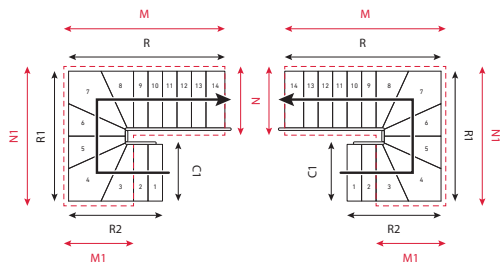
C1 (cm)	R (cm)	R1 (cm)	R2 (cm)	N (cm)	M (cm)	N1 (cm)	M1 (cm)
84	209 - 229	247 - 262	95	91	211 - 231	163 - 178	91
94	214 - 234	257 - 272	100	101	216 - 236	168 - 183	101

DUBAI 14 TREADS - WIDTH 80 & 90 CM

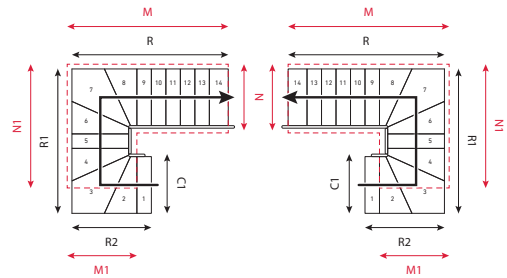
H 255 - 315 cm

— Staircase dimensions incl. Classic banister on 1 side. See p. 5 for staircase width (C1) with Design banister.

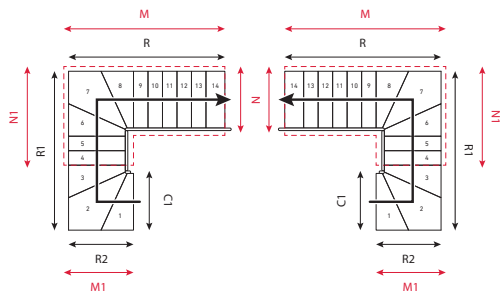
- - - Floor opening size is defined based on 2 cm space to wall, 5 cm space for hand, 19 cm rise height, 25 cm deck thickness, 200 cm headspace.



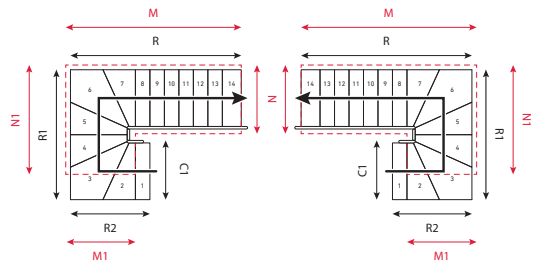
C1 (cm)	R (cm)	R1 (cm)	R2 (cm)	N (cm)	M (cm)	N1 (cm)	M1 (cm)
84	231 - 256	181	139 - 149	91	233 - 258	185	91
94	236 - 261	191	144 - 154	101	238 - 263	195	101



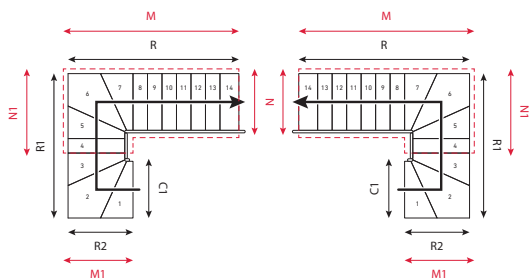
C1 (cm)	R (cm)	R1 (cm)	R2 (cm)	N (cm)	M (cm)	N1 (cm)	M1 (cm)
84	231 - 256	203 - 208	117 - 122	91	233 - 258	169 - 174	91
94	236 - 261	213 - 218	122 - 127	101	238 - 263	177 - 182	101



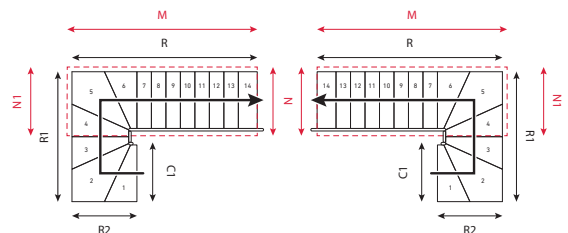
C1 (cm)	R (cm)	R1 (cm)	R2 (cm)	N (cm)	M (cm)	N1 (cm)	M1 (cm)
84	231 - 256	225 - 235	95	91	233 - 258	141 - 151	91
94	236 - 261	235 - 245	100	101	238 - 263	146 - 156	101



C1 (cm)	R (cm)	R1 (cm)	R2 (cm)	N (cm)	M (cm)	N1 (cm)	M1 (cm)
84	253 - 283	181	117 - 122	91	255 - 285	147	91
94	258 - 288	191	122 - 127	101	260 - 290	155	101



C1 (cm)	R (cm)	R1 (cm)	R2 (cm)	N (cm)	M (cm)	N1 (cm)	M1 (cm)
84	253 - 283	203 - 208	95	91	255 - 285	119 - 124	91
94	258 - 288	213 - 218	100	101	260 - 290	124 - 129	101



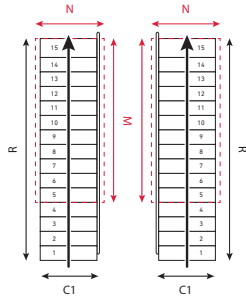
C1 (cm)	R (cm)	R1 (cm)	R2 (cm)	N (cm)	M (cm)	N1 (cm)	M1 (cm)
84	275 - 310	181	95	91	277 - 312	97	91
94	280 - 315	191	100	101	282 - 317	101	101

DUBAI 15 TREADS - WIDTH 80 & 90 CM

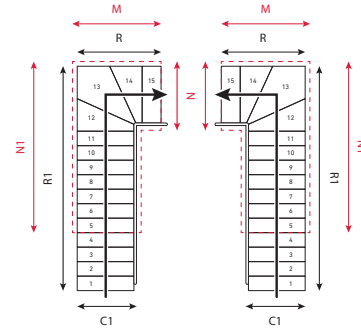
H 272 - 336 cm

— Staircase dimensions incl. Classic banister on 1 side. See p. 5 for staircase width (C1) with Design banister.

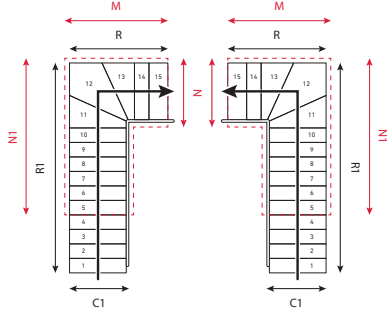
- - - Floor opening size is defined based on 2 cm space to wall, 5 cm space for hand, 19 cm rise height, 25 cm deck thickness, 200 cm headspace.



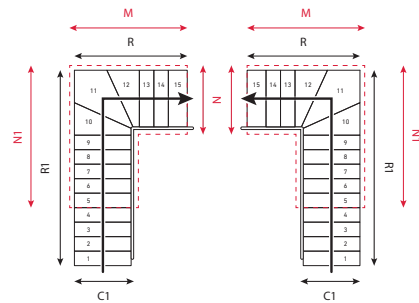
C1 (cm)	R (cm)	N (cm)	M (cm)
84	338 - 408	91	250 - 300
94	338 - 408	101	250 - 300



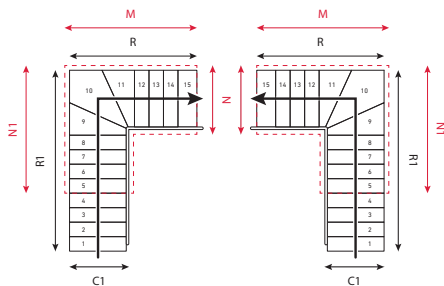
C1 (cm)	R (cm)	R1 (cm)	N (cm)	M (cm)	N1 (cm)
84	121	337 - 392	91	123	251 - 286
94	126	342 - 397	101	128	256 - 291



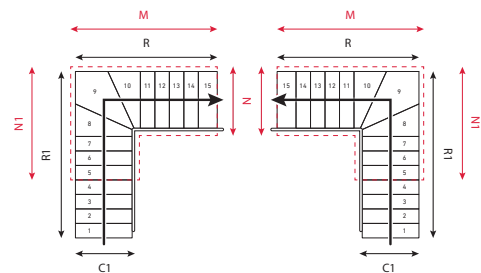
C1 (cm)	R (cm)	R1 (cm)	N (cm)	M (cm)	N1 (cm)
84	143 - 148	315 - 365	91	145 - 150	229 - 259
94	148 - 153	320 - 370	101	150 - 155	234 - 264



C1 (cm)	R (cm)	R1 (cm)	N (cm)	M (cm)	N1 (cm)
84	165 - 175	293 - 338	91	167 - 177	207 - 232
94	170 - 180	298 - 343	101	172 - 182	212 - 237



C1 (cm)	R (cm)	R1 (cm)	N (cm)	M (cm)	N1 (cm)
84	187 - 202	271 - 311	91	189 - 204	185 - 205
94	192 - 207	276 - 316	101	194 - 209	190 - 210



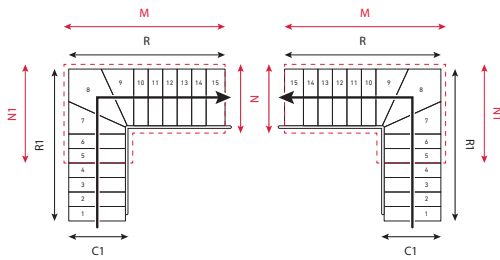
C1 (cm)	R (cm)	R1 (cm)	N (cm)	M (cm)	N1 (cm)
84	209 - 229	249 - 284	91	211 - 231	163 - 178
94	214 - 234	254 - 289	101	216 - 236	168 - 183

DUBAI 15 TREADS - WIDTH 80 & 90 CM

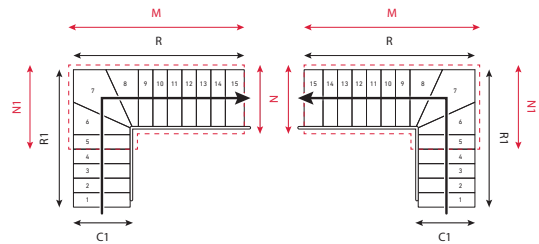
H 272 - 336 cm

— Staircase dimensions incl. Classic banister on 1 side. See p. 5 for staircase width (C1) with Design banister.

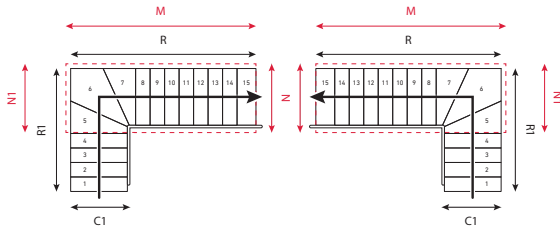
- - - Floor opening size is defined based on 2 cm space to wall, 5 cm space for hand, 19 cm rise height, 25 cm deck thickness, 200 cm headspace.



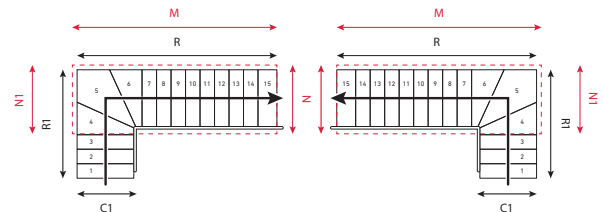
C1 (cm)	R (cm)	R1 (cm)	N (cm)	M (cm)	N1 (cm)
84	231 - 256	227 - 257	91	233 - 258	141 - 151
94	236 - 261	232 - 262	101	238 - 263	146 - 156



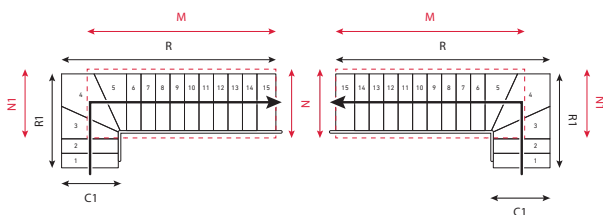
C1 (cm)	R (cm)	R1 (cm)	N (cm)	M (cm)	N1 (cm)
84	253 - 283	205 - 230	91	255 - 285	119 - 124
94	258 - 288	210 - 235	101	260 - 290	124 - 129



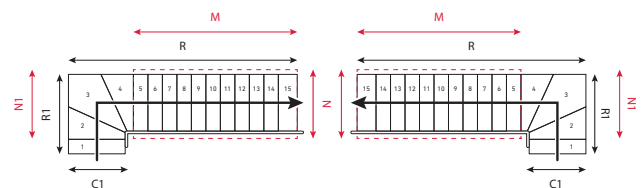
C1 (cm)	R (cm)	R1 (cm)	N (cm)	M (cm)	N1 (cm)
84	275 - 310	183 - 203	91	277 - 312	97
94	280 - 315	188 - 208	101	282 - 317	101



C1 (cm)	R (cm)	R1 (cm)	N (cm)	M (cm)	N1 (cm)
84	297 - 337	161 - 176	91	299 - 339	91
94	302 - 342	166 - 181	101	304 - 344	101



C1 (cm)	R (cm)	R1 (cm)	N (cm)	M (cm)	N1 (cm)
84	319 - 364	139 - 149	91	282 - 327	91
94	324 - 369	144 - 154	101	285 - 330	101



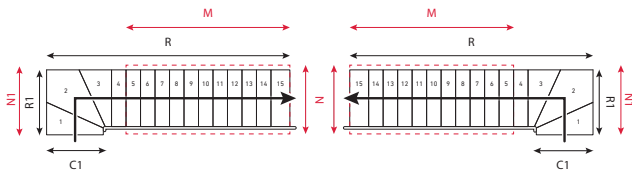
C1 (cm)	R (cm)	R1 (cm)	N (cm)	M (cm)	N1 (cm)
84	341 - 391	117 - 122	91	250 - 300	91
94	346 - 396	122 - 127	101	250 - 300	101

DUBAI 15 TREADS - WIDTH 80 & 90 CM

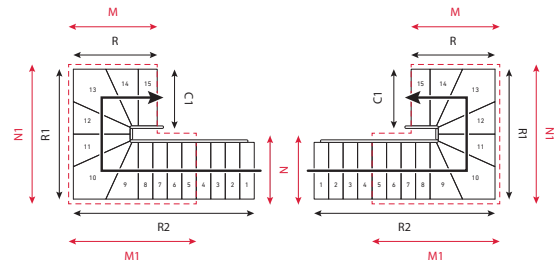
H 272 - 336 cm

— Staircase dimensions incl. Classic banister on 1 side. See p. 5 for staircase width (C1) with Design banister.

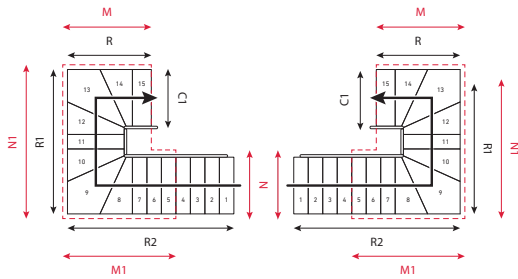
- - - Floor opening size is defined based on 2 cm space to wall, 5 cm space for hand, 19 cm rise height, 25 cm deck thickness, 200 cm headspace.



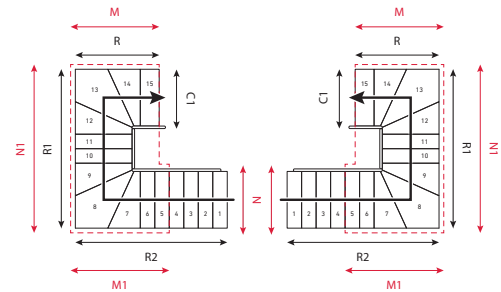
C1 (cm)	R (cm)	R1 (cm)	N (cm)	M (cm)	N1 (cm)
84	363 - 418	95	91	250 - 300	91
94	368 - 423	100	101	250 - 300	101



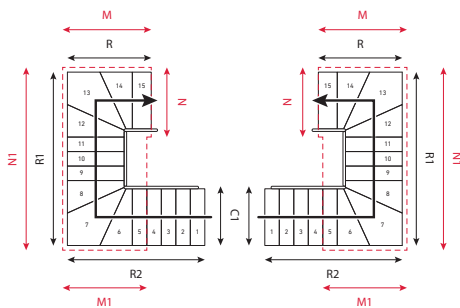
C1 (cm)	R (cm)	R1 (cm)	R2 (cm)	N (cm)	M (cm)	N1 (cm)	M1 (cm)
84	121	181	271 - 311	91	123	185	185 - 205
94	126	191	276 - 316	101	128	195	190 - 210



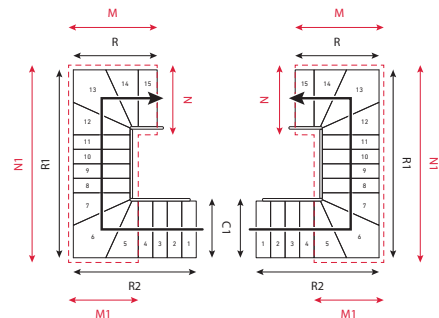
C1 (cm)	R (cm)	R1 (cm)	R2 (cm)	N (cm)	M (cm)	N1 (cm)	M1 (cm)
84	121	203 - 208	249 - 284	91	123	207 - 212	163 - 178
94	126	213 - 218	254 - 289	101	128	217 - 222	168 - 183



C1 (cm)	R (cm)	R1 (cm)	R2 (cm)	N (cm)	M (cm)	N1 (cm)	M1 (cm)
84	121	225 - 235	227 - 257	91	123	229 - 239	141 - 151
94	126	235 - 245	232 - 262	101	128	239 - 249	146 - 156



C1 (cm)	R (cm)	R1 (cm)	R2 (cm)	N (cm)	M (cm)	N1 (cm)	M1 (cm)
84	121	247 - 262	205 - 230	91	123	251 - 266	119 - 124
94	126	257 - 272	210 - 235	101	128	261 - 276	124 - 129



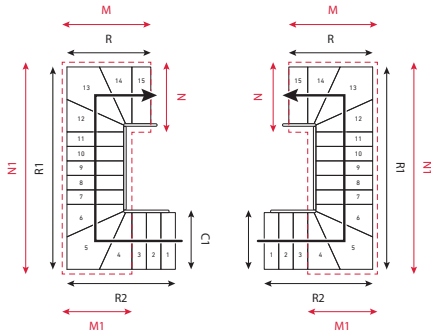
C1 (cm)	R (cm)	R1 (cm)	R2 (cm)	N (cm)	M (cm)	N1 (cm)	M1 (cm)
84	121	269 - 289	183 - 203	91	123	273 - 293	97
94	126	279 - 299	188 - 208	101	128	283 - 303	101

DUBAI 15 TREADS - WIDTH 80 & 90 CM

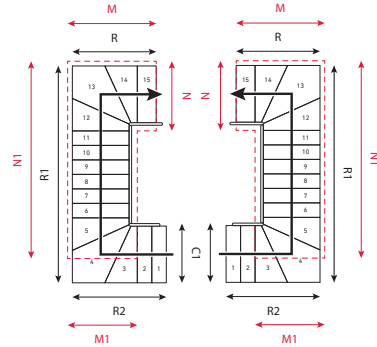
H 272 - 336 cm

— Staircase dimensions incl. Classic banister on 1 side. See p. 5 for staircase width (C1) with Design banister.

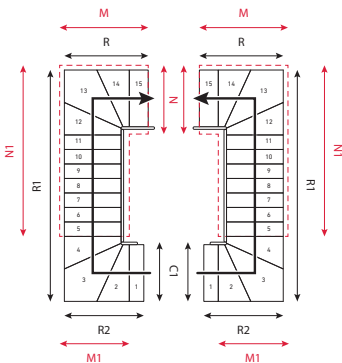
- - Floor opening size is defined based on 2 cm space to wall, 5 cm space for hand, 19 cm rise height, 25 cm deck thickness, 200 cm headspace.



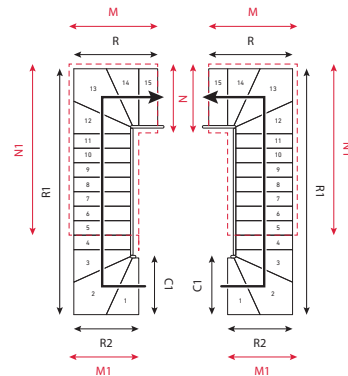
C1 (cm)	R (cm)	R1 (cm)	R2 (cm)	N (cm)	M (cm)	N1 (cm)	M1 (cm)
84	121	291 - 316	161 - 176	91	123	295 - 320	91
94	126	301 - 326	166 - 181	101	128	305 - 330	101



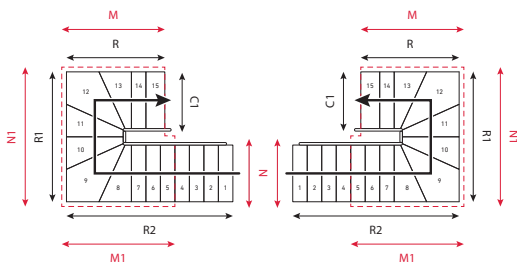
C1 (cm)	R (cm)	R1 (cm)	R2 (cm)	N (cm)	M (cm)	N1 (cm)	M1 (cm)
84	121	313 - 343	139 - 149	91	123	279 - 309	91
94	126	323 - 353	144 - 154	101	128	287 - 317	101



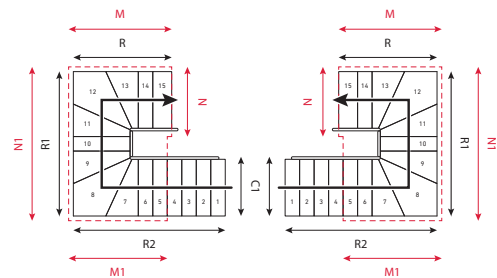
C1 (cm)	R (cm)	R1 (cm)	R2 (cm)	N (cm)	M (cm)	N1 (cm)	M1 (cm)
84	121	335 - 370	117 - 122	91	123	251 - 286	91
94	126	345 - 380	122 - 127	101	128	256 - 291	101



C1 (cm)	R (cm)	R1 (cm)	R2 (cm)	N (cm)	M (cm)	N1 (cm)	M1 (cm)
84	121	357 - 397	95	91	123	251 - 286	91
94	126	367 - 407	100	101	128	256 - 291	101



C1 (cm)	R (cm)	R1 (cm)	R2 (cm)	N (cm)	M (cm)	N1 (cm)	M1 (cm)
84	143 - 148	181	249 - 284	91	145 - 150	185	163 - 178
94	148 - 153	191	254 - 289	101	150 - 155	195	168 - 183



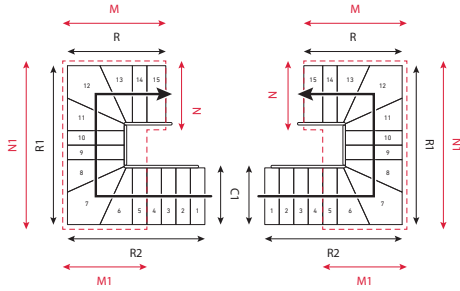
C1 (cm)	R (cm)	R1 (cm)	R2 (cm)	N (cm)	M (cm)	N1 (cm)	M1 (cm)
84	143 - 148	203 - 208	227 - 257	91	145 - 150	207 - 212	141 - 151
94	148 - 153	213 - 218	232 - 262	101	150 - 155	217 - 222	146 - 156

DUBAI 15 TREADS - WIDTH 80 & 90 CM

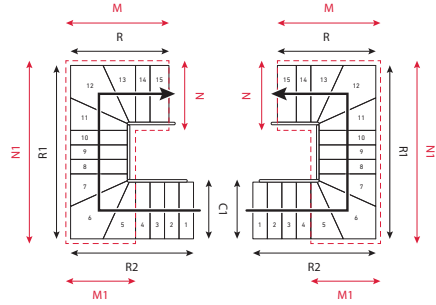
H 272 - 336 cm

— Staircase dimensions incl. Classic banister on 1 side. See p. 5 for staircase width (C1) with Design banister.

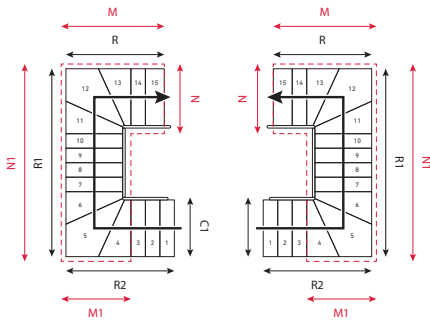
- - Floor opening size is defined based on 2 cm space to wall, 5 cm space for hand, 19 cm rise height, 25 cm deck thickness, 200 cm headspace.



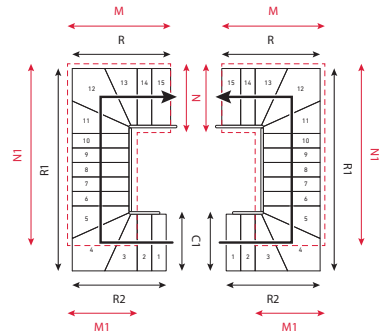
C1 (cm)	R (cm)	R1 (cm)	R2 (cm)	N (cm)	M (cm)	N1 (cm)	M1 (cm)
84	143 - 148	225 - 235	205 - 230	91	145 - 150	229 - 239	119 - 124
94	148 - 153	235 - 245	210 - 235	101	150 - 155	239 - 249	124 - 129



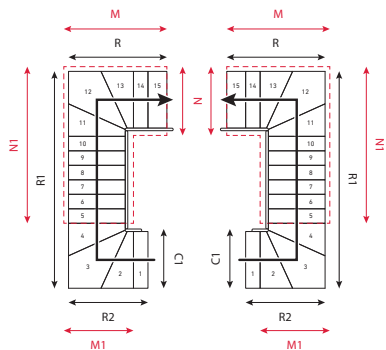
C1 (cm)	R (cm)	R1 (cm)	R2 (cm)	N (cm)	M (cm)	N1 (cm)	M1 (cm)
84	143 - 148	247 - 262	183 - 203	91	145 - 150	251 - 266	97
94	148 - 153	257 - 272	188 - 208	101	150 - 155	261 - 276	101



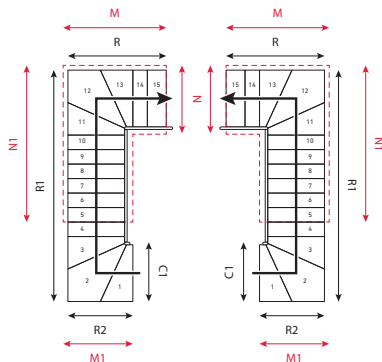
C1 (cm)	R (cm)	R1 (cm)	R2 (cm)	N (cm)	M (cm)	N1 (cm)	M1 (cm)
84	143 - 148	269 - 289	161 - 176	91	145 - 150	273 - 293	91
94	148 - 153	279 - 299	166 - 181	101	150 - 155	283 - 303	101



C1 (cm)	R (cm)	R1 (cm)	R2 (cm)	N (cm)	M (cm)	N1 (cm)	M1 (cm)
84	143 - 148	291 - 316	139 - 149	91	145 - 150	257 - 282	91
94	148 - 153	301 - 326	144 - 154	101	150 - 155	265 - 290	101



C1 (cm)	R (cm)	R1 (cm)	R2 (cm)	N (cm)	M (cm)	N1 (cm)	M1 (cm)
84	143 - 148	313 - 343	117 - 122	91	145 - 150	229 - 259	91
94	148 - 153	323 - 353	122 - 127	101	150 - 155	234 - 264	101



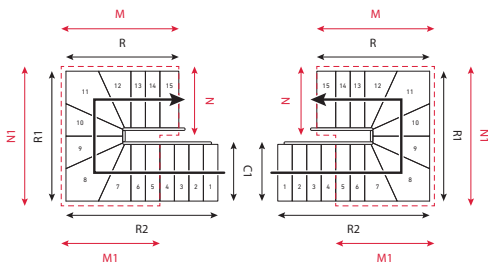
C1 (cm)	R (cm)	R1 (cm)	R2 (cm)	N (cm)	M (cm)	N1 (cm)	M1 (cm)
84	143 - 148	335 - 370	95	91	145 - 150	229 - 259	91
94	148 - 153	345 - 380	100	101	150 - 155	234 - 264	101

DUBAI 15 TREADS - WIDTH 80 & 90 CM

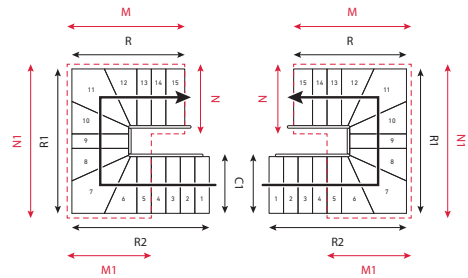
H 272 - 336 cm

— Staircase dimensions incl. Classic banister on 1 side. See p. 5 for staircase width (C1) with Design banister.

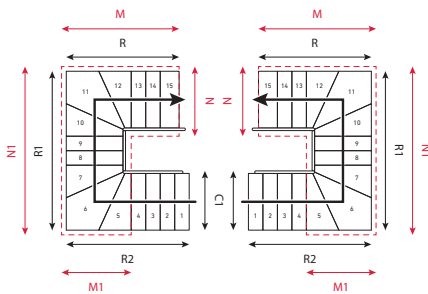
- - Floor opening size is defined based on 2 cm space to wall, 5 cm space for hand, 19 cm rise height, 25 cm deck thickness, 200 cm headspace.



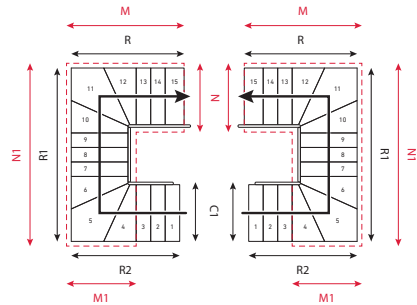
C1 (cm)	R (cm)	R1 (cm)	R2 (cm)	N (cm)	M (cm)	N1 (cm)	M1 (cm)
84	165 - 175	181	227 - 257	91	167 - 177	185	141 - 151
94	170 - 180	191	232 - 262	101	172 - 182	195	146 - 156



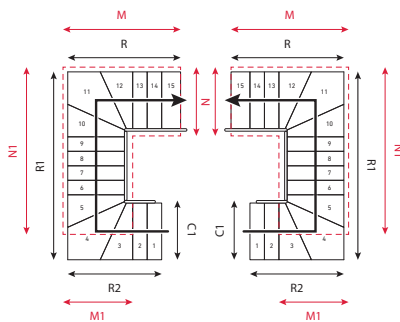
C1 (cm)	R (cm)	R1 (cm)	R2 (cm)	N (cm)	M (cm)	N1 (cm)	M1 (cm)
84	165 - 175	203 - 208	205 - 230	91	167 - 177	207 - 212	119 - 124
94	170 - 180	213 - 218	210 - 235	101	172 - 182	217 - 222	124 - 129



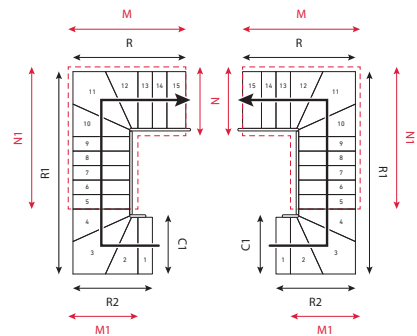
C1 (cm)	R (cm)	R1 (cm)	R2 (cm)	N (cm)	M (cm)	N1 (cm)	M1 (cm)
84	165 - 175	225 - 235	183 - 203	91	167 - 177	229 - 239	97
94	170 - 180	235 - 245	188 - 208	101	172 - 182	239 - 249	101



C1 (cm)	R (cm)	R1 (cm)	R2 (cm)	N (cm)	M (cm)	N1 (cm)	M1 (cm)
84	165 - 175	247 - 262	161 - 176	91	167 - 177	251 - 266	91
94	170 - 180	257 - 272	166 - 181	101	172 - 182	261 - 276	101



C1 (cm)	R (cm)	R1 (cm)	R2 (cm)	N (cm)	M (cm)	N1 (cm)	M1 (cm)
84	165 - 175	269 - 289	139 - 149	91	167 - 177	235 - 255	91
94	170 - 180	279 - 299	144 - 154	101	172 - 182	243 - 263	101



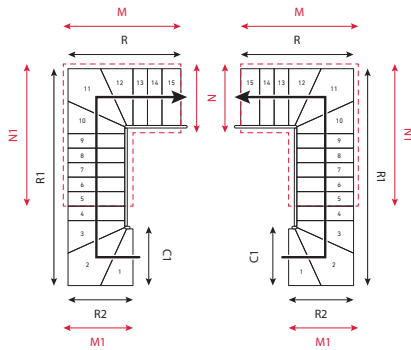
C1 (cm)	R (cm)	R1 (cm)	R2 (cm)	N (cm)	M (cm)	N1 (cm)	M1 (cm)
84	165 - 175	291 - 316	117 - 122	91	167 - 177	207 - 232	91
94	170 - 180	301 - 326	122 - 127	101	172 - 182	212 - 237	101

DUBAI 15 TREADS - WIDTH 80 & 90 CM

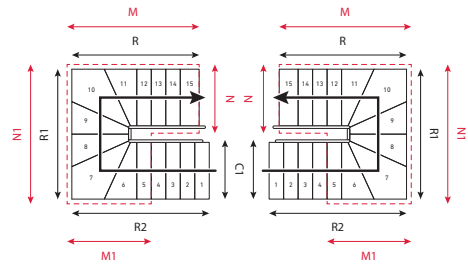
H 272 - 336 cm

— Staircase dimensions incl. Classic banister on 1 side. See p. 5 for staircase width (C1) with Design banister.

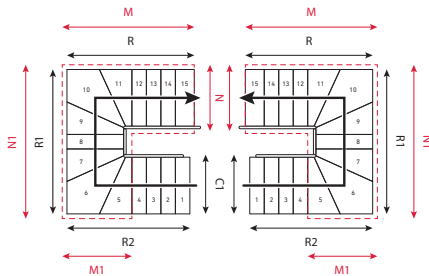
- - Floor opening size is defined based on 2 cm space to wall, 5 cm space for hand, 19 cm rise height, 25 cm deck thickness, 200 cm headspace.



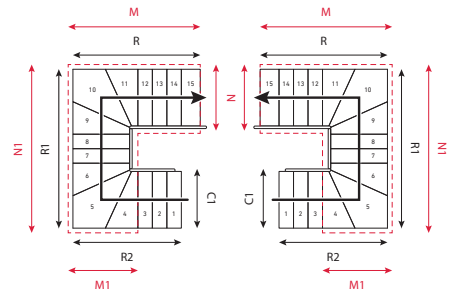
C1 (cm)	R (cm)	R1 (cm)	R2 (cm)	N (cm)	M (cm)	N1 (cm)	M1 (cm)
84	165 - 175	313 - 343	95	91	167 - 177	207 - 232	91
94	170 - 180	323 - 353	100	101	172 - 182	212 - 237	101



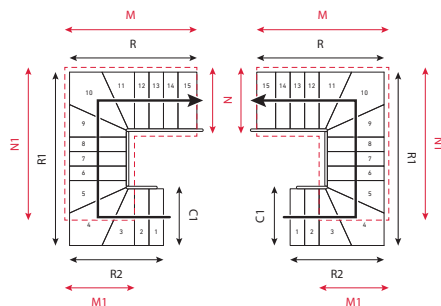
C1 (cm)	R (cm)	R1 (cm)	R2 (cm)	N (cm)	M (cm)	N1 (cm)	M1 (cm)
84	187 - 202	181	205 - 230	91	189 - 204	185	119 - 124
94	192 - 207	191	210 - 235	101	194 - 209	195	124 - 129



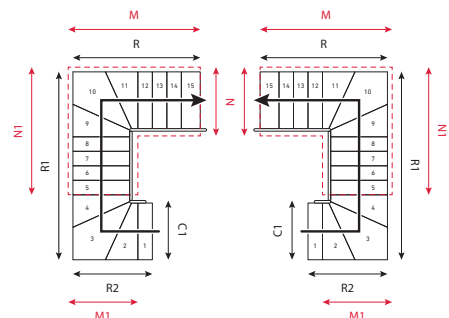
C1 (cm)	R (cm)	R1 (cm)	R2 (cm)	N (cm)	M (cm)	N1 (cm)	M1 (cm)
84	187 - 202	203 - 208	183 - 203	91	189 - 204	207 - 212	97
94	192 - 207	213 - 218	188 - 208	101	194 - 209	217 - 222	101



C1 (cm)	R (cm)	R1 (cm)	R2 (cm)	N (cm)	M (cm)	N1 (cm)	M1 (cm)
84	187 - 202	225 - 235	161 - 176	91	189 - 204	229 - 239	91
94	192 - 207	235 - 245	166 - 181	101	194 - 209	239 - 249	101



C1 (cm)	R (cm)	R1 (cm)	R2 (cm)	N (cm)	M (cm)	N1 (cm)	M1 (cm)
84	187 - 202	247 - 262	139 - 149	91	189 - 204	213 - 228	91
94	192 - 207	257 - 272	144 - 154	101	194 - 209	221 - 236	101



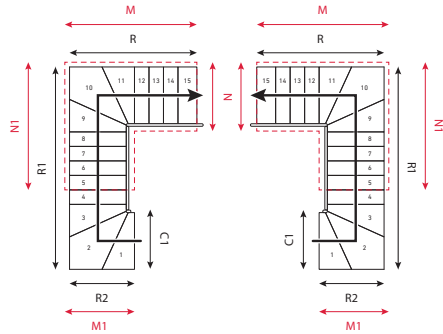
C1 (cm)	R (cm)	R1 (cm)	R2 (cm)	N (cm)	M (cm)	N1 (cm)	M1 (cm)
84	187 - 202	269 - 289	117 - 122	91	189 - 204	185 - 205	91
94	192 - 207	279 - 299	122 - 127	101	194 - 209	190 - 210	101

DUBAI 15 TREADS - WIDTH 80 & 90 CM

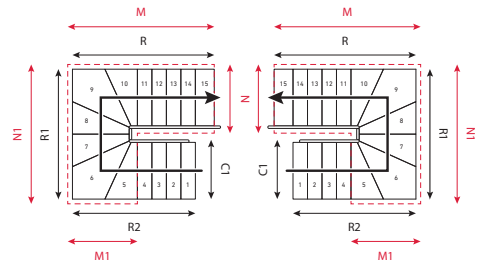
H 272 - 336 cm

— Staircase dimensions incl. Classic banister on 1 side. See p. 5 for staircase width (C1) with Design banister.

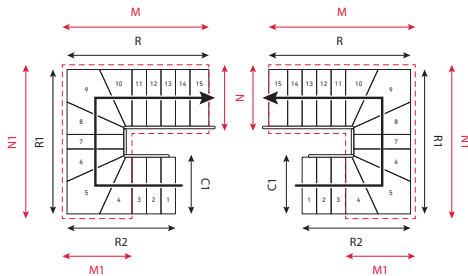
- - Floor opening size is defined based on 2 cm space to wall, 5 cm space for hand, 19 cm rise height, 25 cm deck thickness, 200 cm headspace.



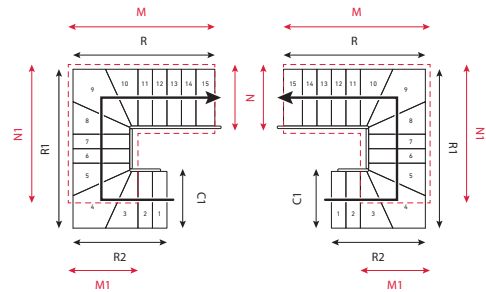
C1 (cm)	R (cm)	R1 (cm)	R2 (cm)	N (cm)	M (cm)	N1 (cm)	M1 (cm)
84	187 - 202	291 - 316	95	91	189 - 204	185 - 205	91
94	192 - 207	301 - 326	100	101	194 - 209	190 - 210	101



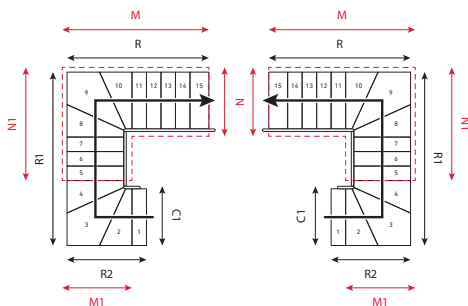
C1 (cm)	R (cm)	R1 (cm)	R2 (cm)	N (cm)	M (cm)	N1 (cm)	M1 (cm)
84	209 - 229	181	183 - 203	91	211 - 231	185	97
94	214 - 234	191	188 - 208	101	216 - 236	195	101



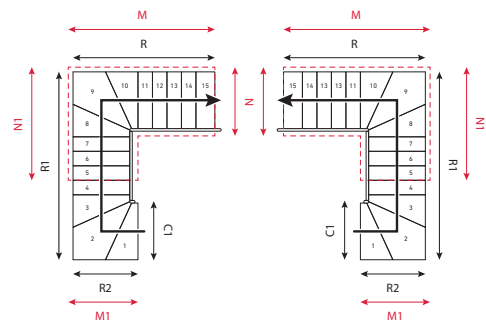
C1 (cm)	R (cm)	R1 (cm)	R2 (cm)	N (cm)	M (cm)	N1 (cm)	M1 (cm)
84	209 - 229	203 - 208	161 - 176	91	211 - 231	207 - 212	91
94	214 - 234	213 - 218	166 - 181	101	216 - 236	217 - 222	101



C1 (cm)	R (cm)	R1 (cm)	R2 (cm)	N (cm)	M (cm)	N1 (cm)	M1 (cm)
84	209 - 229	225 - 235	139 - 149	91	211 - 231	191 - 201	91
94	214 - 234	235 - 245	144 - 154	101	216 - 236	199 - 209	101



C1 (cm)	R (cm)	R1 (cm)	R2 (cm)	N (cm)	M (cm)	N1 (cm)	M1 (cm)
84	209 - 229	247 - 262	117 - 122	91	211 - 231	163 - 178	91
94	214 - 234	257 - 272	122 - 127	101	216 - 236	168 - 183	101

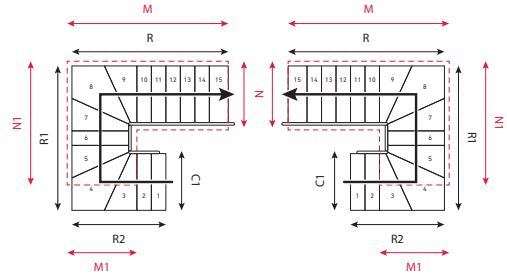
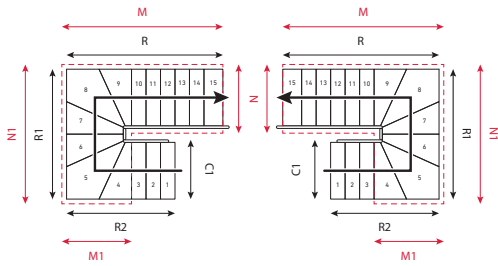


C1 (cm)	R (cm)	R1 (cm)	R2 (cm)	N (cm)	M (cm)	N1 (cm)	M1 (cm)
84	209 - 229	269 - 289	95	91	211 - 231	163 - 178	91
94	214 - 234	279 - 299	100	101	216 - 236	168 - 183	101

DUBAI 15 TREADS - WIDTH 80 & 90 CM

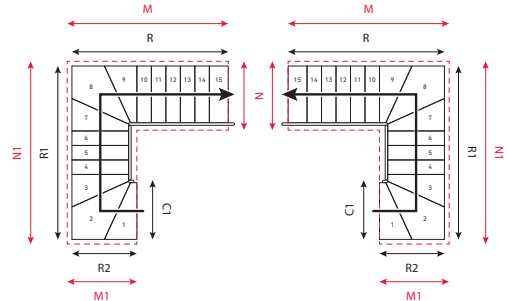
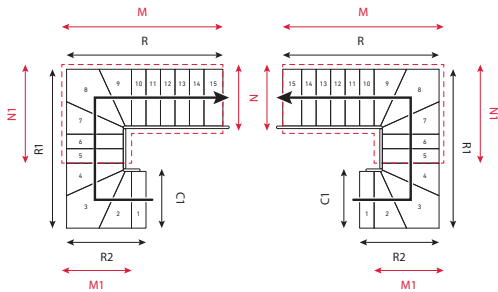
H 272 - 336 cm — Staircase dimensions incl. Classic banister on 1 side. See p. 5 for staircase width (C1) with Design banister.

--- Floor opening size is defined based on 2 cm space to wall, 5 cm space for hand, 19 cm rise height, 25 cm deck thickness, 200 cm headspace.



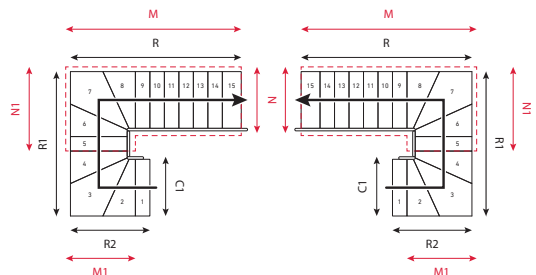
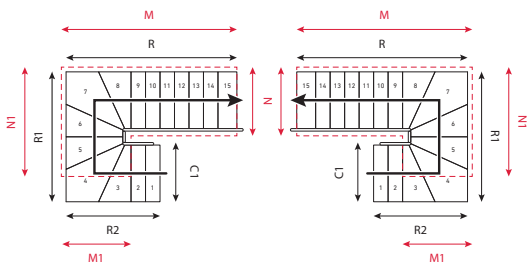
C1 (cm)	R (cm)	R1 (cm)	R2 (cm)	N (cm)	M (cm)	N1 (cm)	M1 (cm)
84	231 - 256	181	161 - 176	91	233 - 258	185	91
94	236 - 261	191	166 - 181	101	238 - 263	195	101

C1 (cm)	R (cm)	R1 (cm)	R2 (cm)	N (cm)	M (cm)	N1 (cm)	M1 (cm)
84	231 - 256	203 - 208	139 - 149	91	233 - 258	169 - 174	91
94	236 - 261	213 - 218	144 - 154	101	238 - 263	177 - 182	101



C1 (cm)	R (cm)	R1 (cm)	R2 (cm)	N (cm)	M (cm)	N1 (cm)	M1 (cm)
84	231 - 256	225 - 235	117 - 122	91	233 - 258	141 - 151	91
94	236 - 261	235 - 245	122 - 127	101	238 - 263	146 - 156	101

C1 (cm)	R (cm)	R1 (cm)	R2 (cm)	N (cm)	M (cm)	N1 (cm)	M1 (cm)
84	231 - 256	247 - 262	95	91	233 - 258	251 - 266	91
94	236 - 261	257 - 272	100	101	238 - 263	261 - 276	101



C1 (cm)	R (cm)	R1 (cm)	R2 (cm)	N (cm)	M (cm)	N1 (cm)	M1 (cm)
84	253 - 283	181	139 - 149	91	255 - 285	147	91
94	258 - 288	191	144 - 154	101	260 - 290	155	101

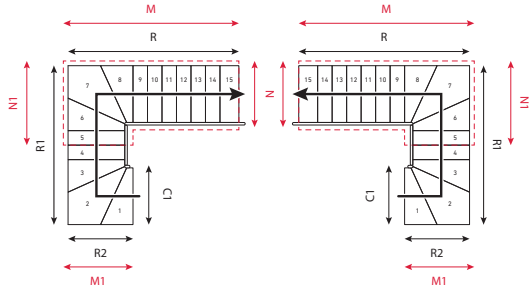
C1 (cm)	R (cm)	R1 (cm)	R2 (cm)	N (cm)	M (cm)	N1 (cm)	M1 (cm)
84	253 - 283	203 - 208	117 - 122	91	255 - 285	119 - 124	91
94	258 - 288	213 - 218	122 - 127	101	260 - 290	124 - 129	101

DUBAI 15 TREADS - WIDTH 80 & 90 CM

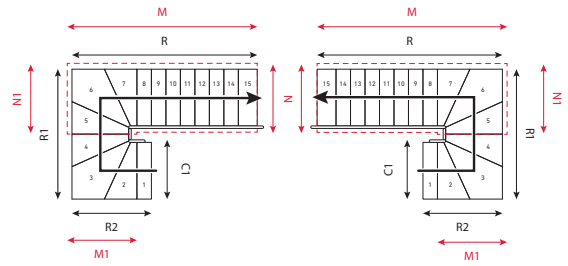
H 272 - 336 cm

— Staircase dimensions incl. Classic banister on 1 side. See p. 5 for staircase width (C1) with Design banister.

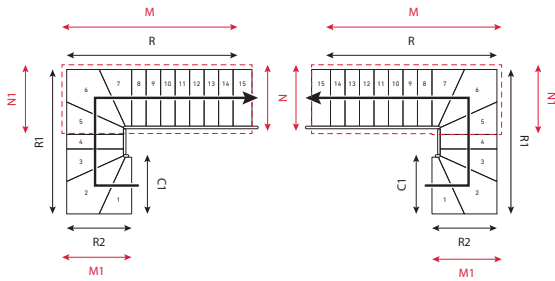
- - - Floor opening size is defined based on 2 cm space to wall, 5 cm space for hand, 19 cm rise height, 25 cm deck thickness, 200 cm headspace.



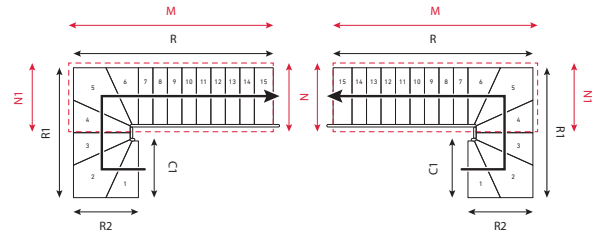
C1 (cm)	R (cm)	R1 (cm)	R2 (cm)	N (cm)	M (cm)	N1 (cm)	M1 (cm)
84	253 - 283	225 - 235	95	91	255 - 285	119 - 124	91
94	258 - 288	235 - 245	100	101	260 - 290	124 - 129	101



C1 (cm)	R (cm)	R1 (cm)	R2 (cm)	N (cm)	M (cm)	N1 (cm)	M1 (cm)
84	275 - 310	181	117 - 122	91	277 - 312	97	91
94	280 - 315	191	122 - 127	101	282 - 317	101	101



C1 (cm)	R (cm)	R1 (cm)	R2 (cm)	N (cm)	M (cm)	N1 (cm)	M1 (cm)
84	275 - 310	203 - 208	95	91	277 - 312	97	91
94	280 - 315	213 - 218	100	101	282 - 317	101	101



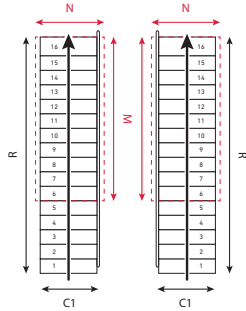
C1 (cm)	R (cm)	R1 (cm)	R2 (cm)	N (cm)	M (cm)	N1 (cm)
84	297 - 337	181	95	91	299 - 339	91
94	302 - 342	191	100	101	304 - 344	101

DUBAI 16 TREADS - WIDTH 80 & 90 CM

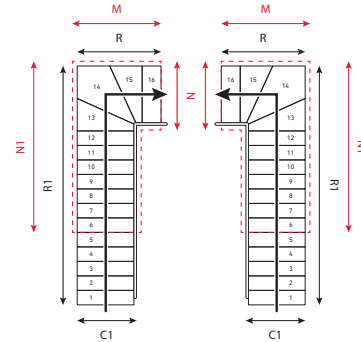
H 289 - 357 cm

— Staircase dimensions incl. Classic banister on 1 side. See p. 5 for staircase width (C1) with Design banister.

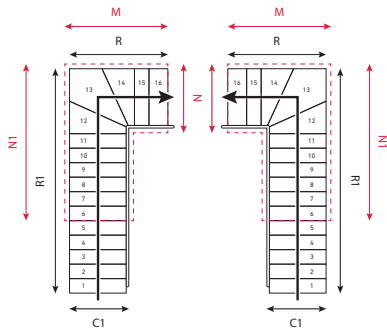
- - Floor opening size is defined based on 2 cm space to wall, 5 cm space for hand, 19 cm rise height, 25 cm deck thickness, 200 cm headspace.



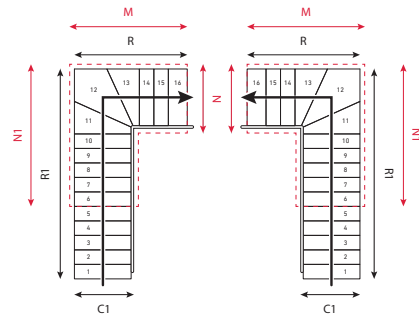
C1 (cm)	R (cm)	N (cm)	M (cm)
84	360 - 435	91	250 - 300
94	360 - 435	101	250 - 300



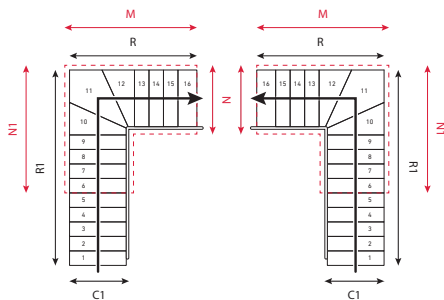
C1 (cm)	R (cm)	R1 (cm)	N (cm)	M (cm)	N1 (cm)
84	121	359 - 419	91	123	251 - 286
94	126	364 - 424	101	128	256 - 291



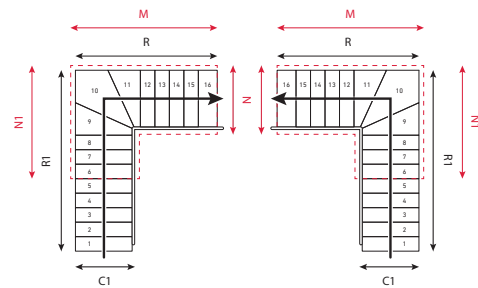
C1 (cm)	R (cm)	R1 (cm)	N (cm)	M (cm)	N1 (cm)
84	143 - 148	337 - 392	91	145 - 150	229 - 259
94	148 - 153	342 - 397	101	150 - 155	234 - 264



C1 (cm)	R (cm)	R1 (cm)	N (cm)	M (cm)	N1 (cm)
84	165 - 175	315 - 365	91	167 - 177	207 - 232
94	170 - 180	320 - 370	101	172 - 182	212 - 237



C1 (cm)	R (cm)	R1 (cm)	N (cm)	M (cm)	N1 (cm)
84	187 - 202	293 - 338	91	189 - 204	185 - 205
94	192 - 207	298 - 343	101	194 - 209	190 - 210



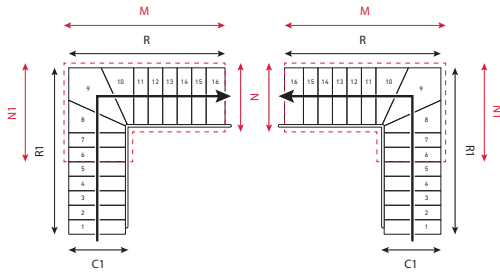
C1 (cm)	R (cm)	R1 (cm)	N (cm)	M (cm)	N1 (cm)
84	209 - 229	271 - 311	91	211 - 231	163 - 178
94	214 - 234	276 - 316	101	216 - 236	168 - 183

DUBAI 16 TREADS - WIDTH 80 & 90 CM

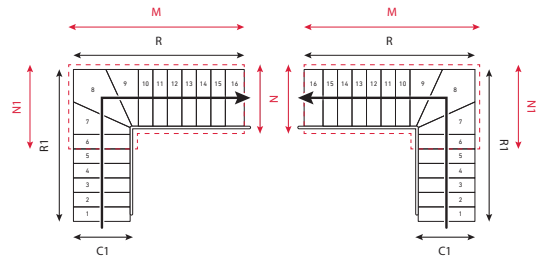
H 289 - 357 cm

— Staircase dimensions incl. Classic banister on 1 side. See p. 5 for staircase width (C1) with Design banister.

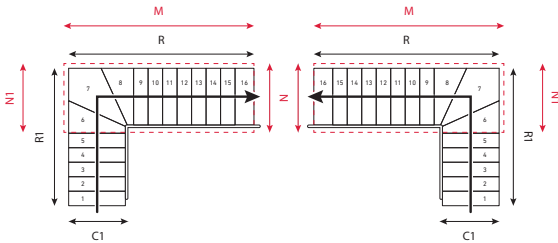
- - - Floor opening size is defined based on 2 cm space to wall, 5 cm space for hand, 19 cm rise height, 25 cm deck thickness, 200 cm headspace.



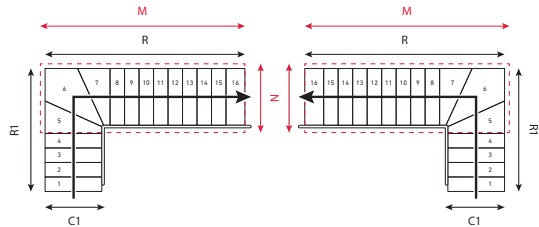
C1 (cm)	R (cm)	R1 (cm)	N (cm)	M (cm)	N1 (cm)
84	231 - 256	249 - 284	91	233 - 258	141 - 151
94	236 - 261	254 - 289	101	238 - 263	146 - 156



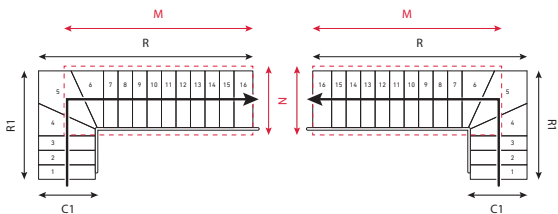
C1 (cm)	R (cm)	R1 (cm)	N (cm)	M (cm)	N1 (cm)
84	253 - 283	227 - 257	91	255 - 285	119 - 124
94	258 - 288	232 - 262	101	260 - 290	124 - 129



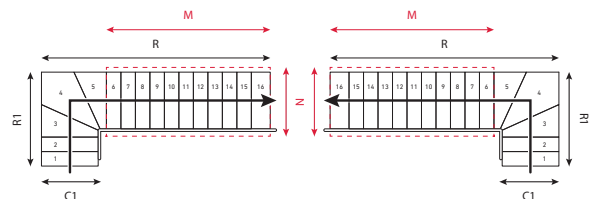
C1 (cm)	R (cm)	R1 (cm)	N (cm)	M (cm)	N1 (cm)
84	275 - 310	205 - 230	91	277 - 312	97
94	280 - 315	210 - 235	101	282 - 317	101



C1 (cm)	R (cm)	R1 (cm)	N (cm)	M (cm)
84	297 - 337	183 - 203	91	299 - 339
94	302 - 342	188 - 208	101	304 - 344



C1 (cm)	R (cm)	R1 (cm)	N (cm)	M (cm)
84	319 - 364	161 - 176	91	282 - 327
94	324 - 369	166 - 181	101	285 - 330



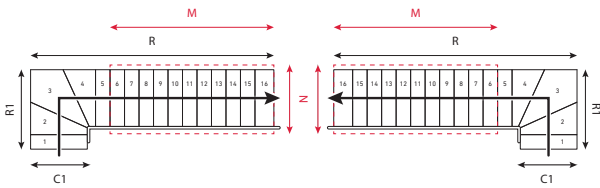
C1 (cm)	R (cm)	R1 (cm)	N (cm)	M (cm)
84	341 - 391	139 - 149	91	250 - 300
94	346 - 396	144 - 154	101	250 - 300

DUBAI 16 TREADS - WIDTH 80 & 90 CM

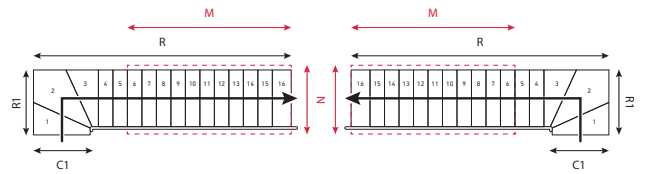
H 289 - 357 cm

Staircase dimensions incl. Classic banister on 1 side. See p. 5 for staircase width (C1) with Design banister.

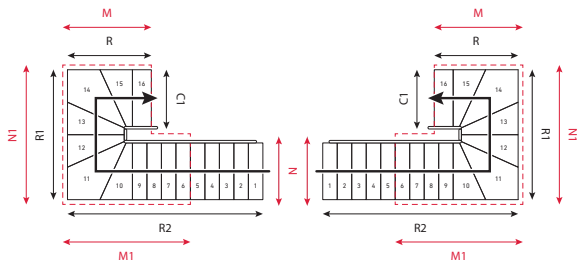
--- Floor opening size is defined based on 2 cm space to wall, 5 cm space for hand, 19 cm rise height, 25 cm deck thickness, 200 cm headspace.



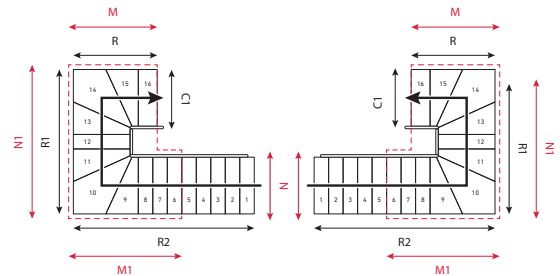
C1 (cm)	R (cm)	R1 (cm)	N (cm)	M (cm)
84	363 - 418	117 - 122	91	250 - 300
94	368 - 423	122 - 127	101	250 - 300



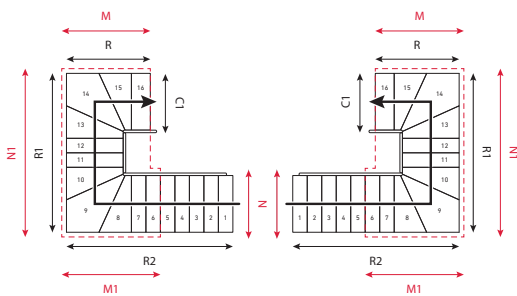
C1 (cm)	R (cm)	R1 (cm)	N (cm)	M (cm)
84	385 - 445	95	91	250 - 300
94	390 - 450	100	101	250 - 300



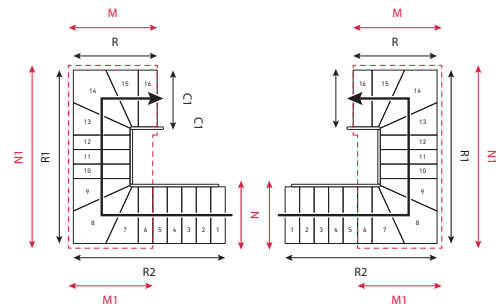
C1 (cm)	R (cm)	R1 (cm)	R2 (cm)	N (cm)	M (cm)	N1 (cm)	M1 (cm)
84	121	181	293 - 338	91	123	185	185 - 205
94	126	191	298 - 343	101	128	195	190 - 210



C1 (cm)	R (cm)	R1 (cm)	R2 (cm)	N (cm)	M (cm)	N1 (cm)	M1 (cm)
84	121	203 - 208	271 - 311	91	123	207 - 212	163 - 178
94	126	213 - 218	276 - 316	101	128	217 - 222	168 - 183



C1 (cm)	R (cm)	R1 (cm)	R2 (cm)	N (cm)	M (cm)	N1 (cm)	M1 (cm)
84	121	225 - 235	249 - 284	91	123	229 - 239	141 - 151
94	126	235 - 245	254 - 289	101	128	239 - 249	146 - 156



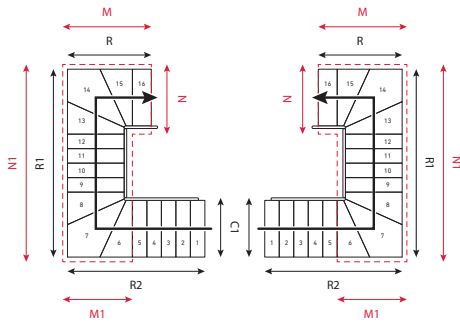
C1 (cm)	R (cm)	R1 (cm)	R2 (cm)	N (cm)	M (cm)	N1 (cm)	M1 (cm)
84	121	247 - 262	227 - 257	91	123	247 - 262	119 - 124
94	126	257 - 272	232 - 262	101	128	257 - 272	124 - 129

DUBAI 16 TREADS - WIDTH 80 & 90 CM

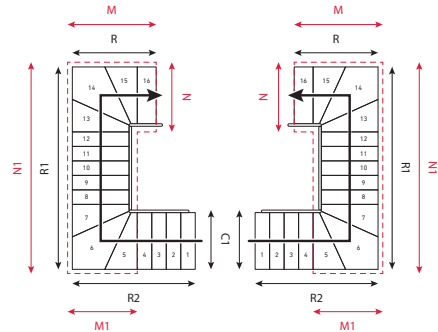
H 289 - 357 cm

— Staircase dimensions incl. Classic banister on 1 side. See p. 5 for staircase width (C1) with Design banister.

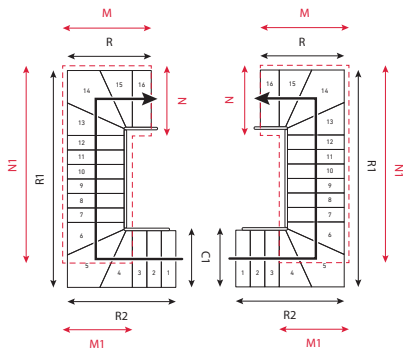
- - Floor opening size is defined based on 2 cm space to wall, 5 cm space for hand, 19 cm rise height, 25 cm deck thickness, 200 cm headspace.



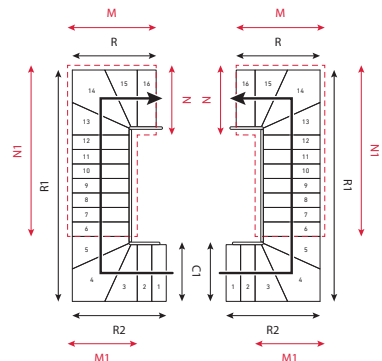
C1 (cm)	R (cm)	R1 (cm)	R2 (cm)	N (cm)	M (cm)	N1 (cm)	M1 (cm)
84	121	269 - 289	205 - 230	91	123	273 - 293	97
94	126	279 - 299	210 - 235	101	128	283 - 303	101



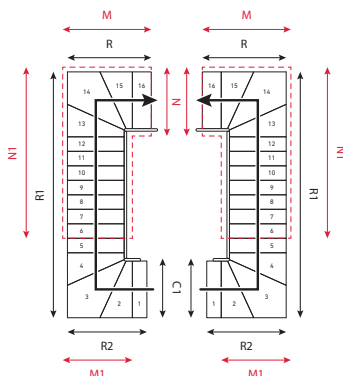
C1 (cm)	R (cm)	R1 (cm)	R2 (cm)	N (cm)	M (cm)	N1 (cm)	M1 (cm)
84	121	291 - 316	183 - 203	91	123	295 - 320	91
94	126	301 - 326	188 - 208	101	128	305 - 330	101



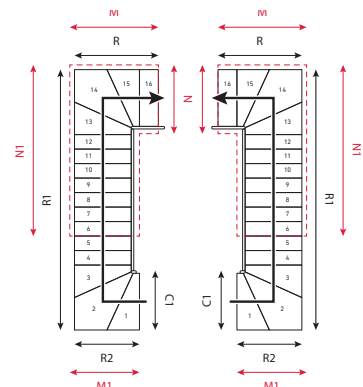
C1 (cm)	R (cm)	R1 (cm)	R2 (cm)	N (cm)	M (cm)	N1 (cm)	M1 (cm)
84	121	313 - 343	161 - 176	91	123	279 - 309	91
94	126	323 - 353	166 - 181	101	128	287 - 317	101



C1 (cm)	R (cm)	R1 (cm)	R2 (cm)	N (cm)	M (cm)	N1 (cm)	M1 (cm)
84	121	335 - 370	139 - 149	91	123	251 - 286	91
94	126	345 - 380	144 - 154	101	128	256 - 291	101



C1 (cm)	R (cm)	R1 (cm)	R2 (cm)	N (cm)	M (cm)	N1 (cm)	M1 (cm)
84	121	357 - 397	117 - 122	91	123	251 - 286	91
94	126	367 - 407	122 - 127	101	128	256 - 291	101

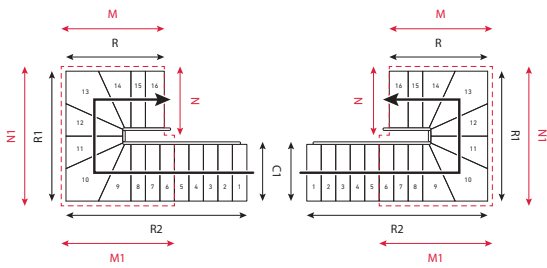


C1 (cm)	R (cm)	R1 (cm)	R2 (cm)	N (cm)	M (cm)	N1 (cm)	M1 (cm)
84	121	379 - 424	95	91	123	251 - 286	91
94	126	389 - 434	100	101	128	256 - 291	101

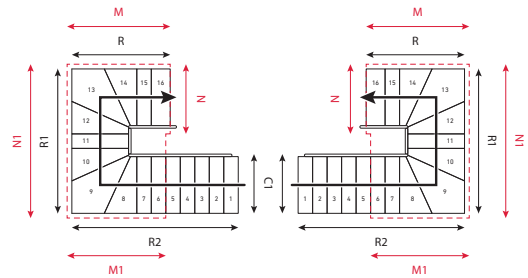
DUBAI 16 TREADS - WIDTH 80 & 90 CM

H 289 - 357 cm — Staircase dimensions incl. Classic banister on 1 side. See p. 5 for staircase width (C1) with Design banister.

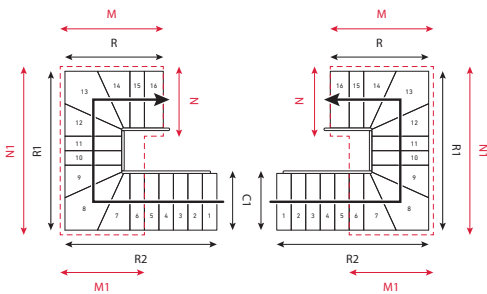
--- Floor opening size is defined based on 2 cm space to wall, 5 cm space for hand, 19 cm rise height, 25 cm deck thickness, 200 cm headspace.



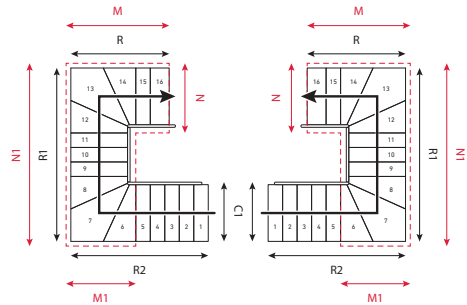
C1 (cm)	R (cm)	R1 (cm)	R2 (cm)	N (cm)	M (cm)	NI (cm)	M1 (cm)
84	143 - 148	181	271 - 311	91	145 - 150	185	163 - 178
94	148 - 153	191	276 - 316	101	150 - 155	195	168 - 183



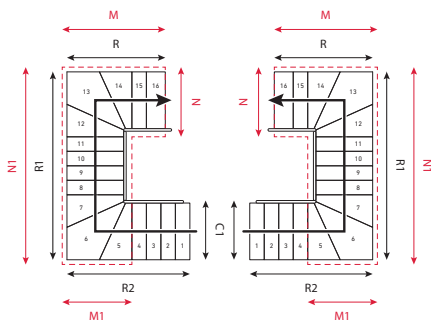
C1 (cm)	R (cm)	R1 (cm)	R2 (cm)	N (cm)	M (cm)	NI (cm)	M1 (cm)
84	143 - 148	203 - 208	249 - 284	91	145 - 150	207 - 212	141 - 151
94	148 - 153	213 - 218	254 - 289	101	150 - 155	217 - 222	146 - 156



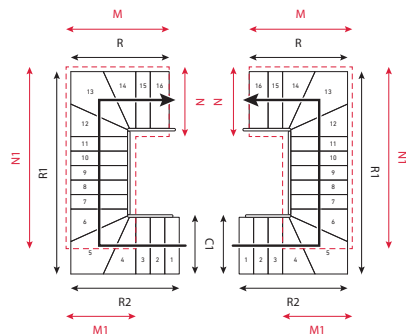
C1 (cm)	R (cm)	R1 (cm)	R2 (cm)	N (cm)	M (cm)	NI (cm)	M1 (cm)
84	143 - 148	225 - 235	227 - 257	91	145 - 150	229 - 239	119 - 124
94	148 - 153	235 - 245	232 - 262	101	150 - 155	239 - 249	124 - 129



C1 (cm)	R (cm)	R1 (cm)	R2 (cm)	N (cm)	M (cm)	NI (cm)	M1 (cm)
84	143 - 148	247 - 262	205 - 230	91	145 - 150	251 - 266	97
94	148 - 153	257 - 272	210 - 235	101	150 - 155	261 - 276	101



C1 (cm)	R (cm)	R1 (cm)	R2 (cm)	N (cm)	M (cm)	NI (cm)	M1 (cm)
84	143 - 148	269 - 289	183 - 203	91	145 - 150	273 - 293	91
94	148 - 153	279 - 299	188 - 208	101	150 - 155	283 - 303	101



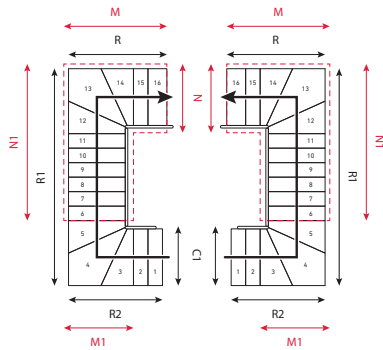
C1 (cm)	R (cm)	R1 (cm)	R2 (cm)	N (cm)	M (cm)	NI (cm)	M1 (cm)
84	143 - 148	291 - 316	161 - 176	91	145 - 150	257 - 282	91
94	148 - 153	301 - 326	166 - 181	101	150 - 155	265 - 290	101

DUBAI 16 TREADS - WIDTH 80 & 90 CM

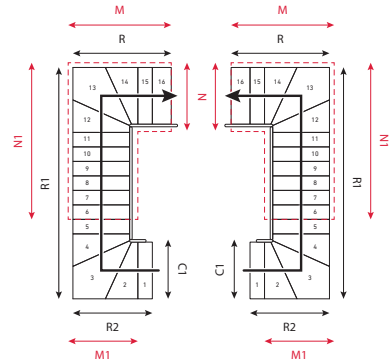
H 289 - 357 cm

— Staircase dimensions incl. Classic banister on 1 side. See p. 5 for staircase width (C1) with Design banister.

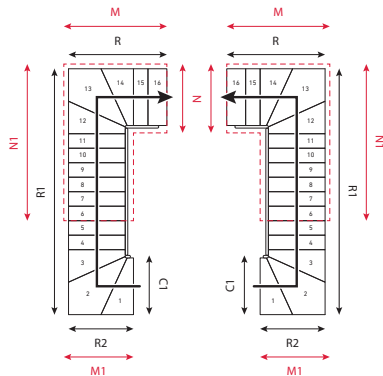
- - Floor opening size is defined based on 2 cm space to wall, 5 cm space for hand, 19 cm rise height, 25 cm deck thickness, 200 cm headspace.



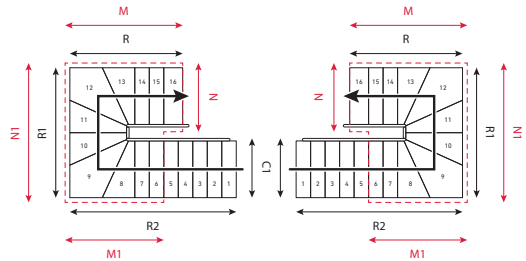
C1 (cm)	R (cm)	R1 (cm)	R2 (cm)	N (cm)	M (cm)	NI (cm)	M1 (cm)
84	143 - 148	313 - 343	139 - 149	91	145 - 150	229 - 259	91
94	148 - 153	323 - 353	144 - 154	101	150 - 155	234 - 264	101



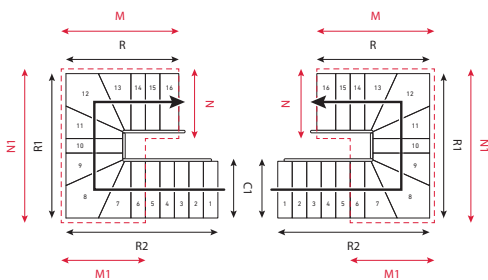
C1 (cm)	R (cm)	R1 (cm)	R2 (cm)	N (cm)	M (cm)	NI (cm)	M1 (cm)
84	143 - 148	335 - 370	117 - 122	91	145 - 150	229 - 259	91
94	148 - 153	345 - 380	122 - 127	101	150 - 155	234 - 264	101



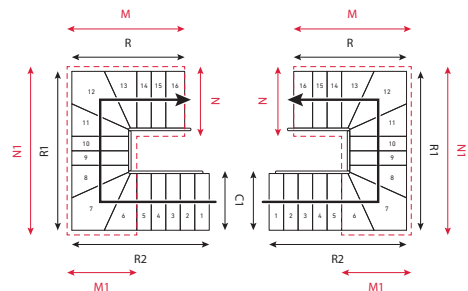
C1 (cm)	R (cm)	R1 (cm)	R2 (cm)	N (cm)	M (cm)	NI (cm)	M1 (cm)
84	143 - 148	357 - 397	95	91	145 - 150	229 - 259	91
94	148 - 153	367 - 407	100	101	150 - 155	234 - 264	101



C1 (cm)	R (cm)	R1 (cm)	R2 (cm)	N (cm)	M (cm)	NI (cm)	M1 (cm)
84	165 - 175	181	249 - 284	91	167 - 177	185	141 - 151
94	170 - 180	191	254 - 289	101	172 - 182	195	146 - 156



C1 (cm)	R (cm)	R1 (cm)	R2 (cm)	N (cm)	M (cm)	NI (cm)	M1 (cm)
84	165 - 175	203 - 208	227 - 257	91	167 - 177	207 - 212	119 - 124
94	170 - 180	213 - 218	232 - 262	101	172 - 182	217 - 222	124 - 129



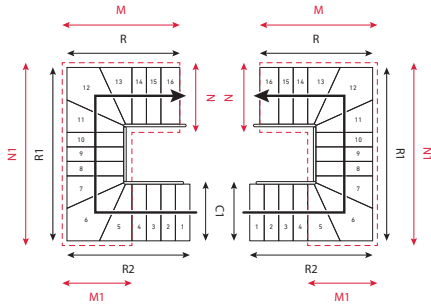
C1 (cm)	R (cm)	R1 (cm)	R2 (cm)	N (cm)	M (cm)	NI (cm)	M1 (cm)
84	165 - 175	225 - 235	205 - 230	91	167 - 177	229 - 239	97
94	170 - 180	235 - 245	210 - 235	101	172 - 182	239 - 249	101

DUBAI 16 TREADS - WIDTH 80 & 90 CM

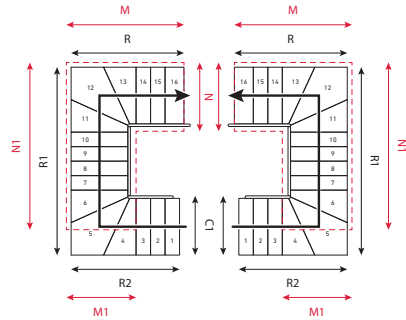
H 289 - 357 cm

— Staircase dimensions incl. Classic banister on 1 side. See p. 5 for staircase width (C1) with Design banister.

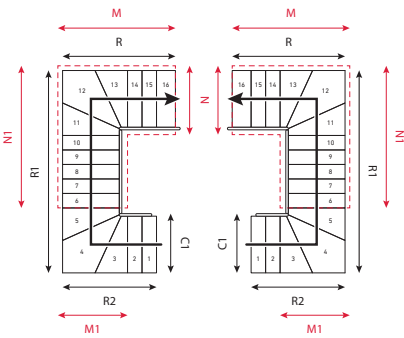
- - Floor opening size is defined based on 2 cm space to wall, 5 cm space for hand, 19 cm rise height, 25 cm deck thickness, 200 cm headspace.



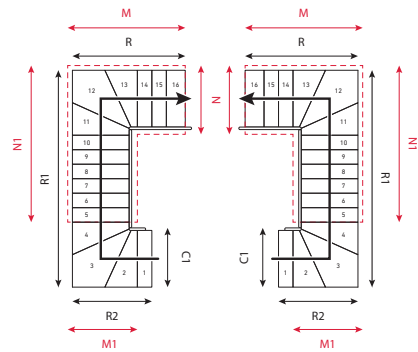
C1 (cm)	R (cm)	R1 (cm)	R2 (cm)	N (cm)	M (cm)	N1 (cm)	M1 (cm)
84	165 - 175	247 - 262	183 - 203	91	167 - 177	251 - 266	91
94	170 - 180	257 - 272	188 - 208	101	172 - 182	261 - 276	101



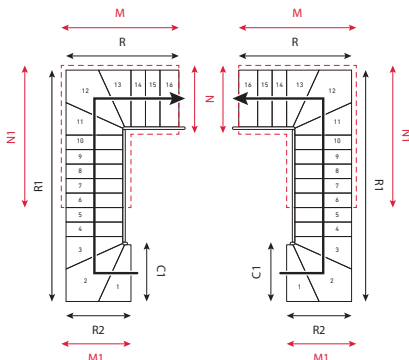
C1 (cm)	R (cm)	R1 (cm)	R2 (cm)	N (cm)	M (cm)	N1 (cm)	M1 (cm)
84	165 - 175	269 - 289	161 - 176	91	167 - 177	235 - 255	91
94	170 - 180	279 - 299	166 - 181	101	172 - 182	243 - 263	101



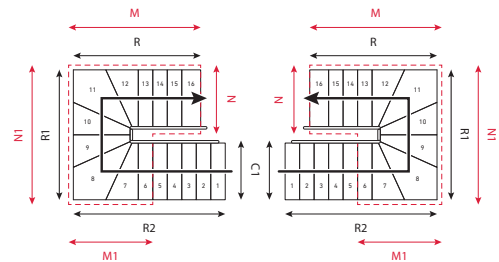
C1 (cm)	R (cm)	R1 (cm)	R2 (cm)	N (cm)	M (cm)	N1 (cm)	M1 (cm)
84	165 - 175	291 - 316	139 - 149	91	167 - 177	207 - 232	91
94	170 - 180	301 - 326	144 - 154	101	172 - 182	212 - 237	101



C1 (cm)	R (cm)	R1 (cm)	R2 (cm)	N (cm)	M (cm)	N1 (cm)	M1 (cm)
84	165 - 175	313 - 343	117 - 122	91	167 - 177	229 - 259	91
94	170 - 180	323 - 353	122 - 127	101	172 - 182	234 - 264	101



C1 (cm)	R (cm)	R1 (cm)	R2 (cm)	N (cm)	M (cm)	N1 (cm)	M1 (cm)
84	165 - 175	335 - 370	95	91	167 - 177	207 - 232	91
94	170 - 180	345 - 380	100	101	172 - 182	212 - 237	101



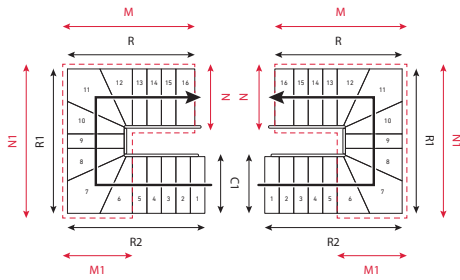
C1 (cm)	R (cm)	R1 (cm)	R2 (cm)	N (cm)	M (cm)	N1 (cm)	M1 (cm)
84	187 - 202	181	227 - 257	91	189 - 204	185	119 - 124
94	192 - 207	191	232 - 262	101	194 - 209	195	124 - 129

DUBAI 16 TREADS - WIDTH 80 & 90 CM

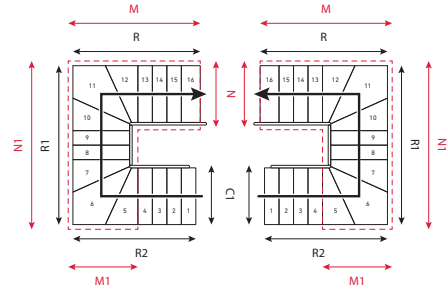
H 289 - 357 cm

— Staircase dimensions incl. Classic banister on 1 side. See p. 5 for staircase width (C1) with Design banister.

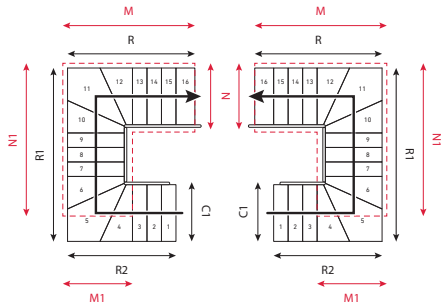
- - Floor opening size is defined based on 2 cm space to wall, 5 cm space for hand, 19 cm rise height, 25 cm deck thickness, 200 cm headspace.



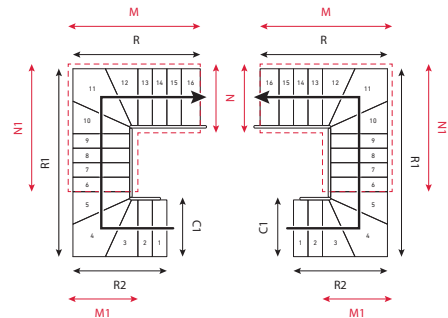
C1 (cm)	R (cm)	R1 (cm)	R2 (cm)	N (cm)	M (cm)	N1 (cm)	M1 (cm)
84	187 - 202	203 - 208	205 - 230	91	189 - 204	207 - 212	97
94	192 - 207	213 - 218	210 - 235	101	194 - 209	217 - 222	101



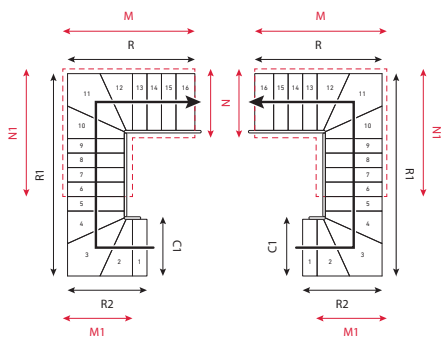
C1 (cm)	R (cm)	R1 (cm)	R2 (cm)	N (cm)	M (cm)	N1 (cm)	M1 (cm)
84	187 - 202	225 - 235	183 - 203	91	189 - 204	229 - 239	91
94	192 - 207	235 - 245	188 - 208	101	194 - 209	239 - 249	101



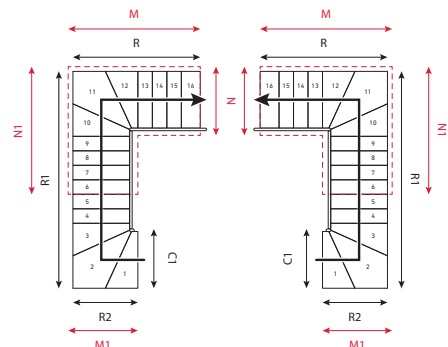
C1 (cm)	R (cm)	R1 (cm)	R2 (cm)	N (cm)	M (cm)	N1 (cm)	M1 (cm)
84	187 - 202	247 - 262	161 - 176	91	189 - 204	213 - 228	91
94	192 - 207	257 - 272	166 - 181	101	194 - 209	221 - 236	101



C1 (cm)	R (cm)	R1 (cm)	R2 (cm)	N (cm)	M (cm)	N1 (cm)	M1 (cm)
84	187 - 202	269 - 289	139 - 149	91	189 - 204	185 - 205	91
94	192 - 207	279 - 299	144 - 154	101	194 - 209	190 - 210	101



C1 (cm)	R (cm)	R1 (cm)	R2 (cm)	N (cm)	M (cm)	N1 (cm)	M1 (cm)
84	187 - 202	291 - 316	117 - 122	91	189 - 204	185 - 205	91
94	192 - 207	301 - 326	122 - 127	101	194 - 209	190 - 210	101



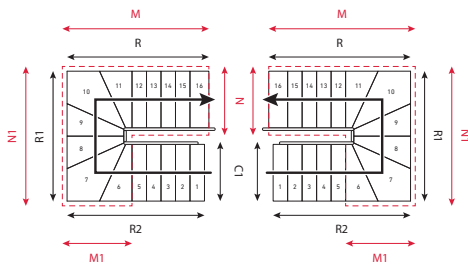
C1 (cm)	R (cm)	R1 (cm)	R2 (cm)	N (cm)	M (cm)	N1 (cm)	M1 (cm)
84	187 - 202	313 - 343	95	91	189 - 204	185 - 205	91
94	192 - 207	323 - 353	100	101	194 - 209	190 - 210	101

DUBAI 16 TREADS - WIDTH 80 & 90 CM

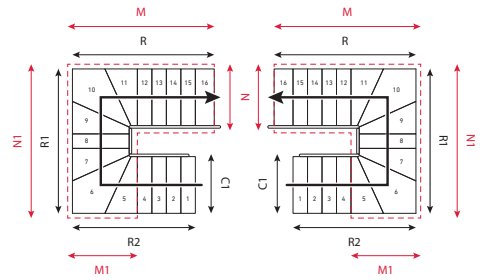
H 289 - 357 cm

— Staircase dimensions incl. Classic banister on 1 side. See p. 5 for staircase width (C1) with Design banister.

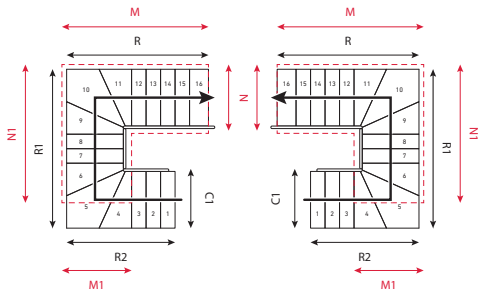
- - - Floor opening size is defined based on 2 cm space to wall, 5 cm space for hand, 19 cm rise height, 25 cm deck thickness, 200 cm headspace.



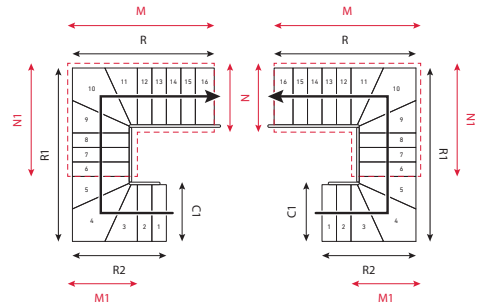
C1 (cm)	R (cm)	R1 (cm)	R2 (cm)	N (cm)	M (cm)	N1 (cm)	M1 (cm)
84	209 - 229	181	205 - 230	91	211 - 231	185	97
94	214 - 234	191	210 - 235	101	216 - 236	195	101



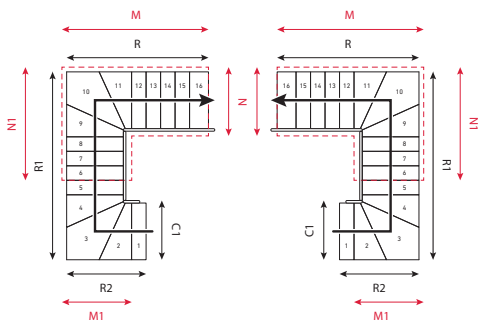
C1 (cm)	R (cm)	R1 (cm)	R2 (cm)	N (cm)	M (cm)	N1 (cm)	M1 (cm)
84	209 - 229	203 - 208	183 - 203	91	211 - 231	207 - 212	91
94	214 - 234	213 - 218	188 - 208	101	216 - 236	217 - 222	101



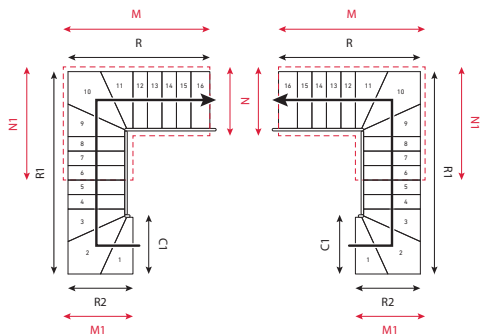
C1 (cm)	R (cm)	R1 (cm)	R2 (cm)	N (cm)	M (cm)	N1 (cm)	M1 (cm)
84	209 - 229	225 - 235	161 - 176	91	211 - 231	191 - 201	91
94	214 - 234	235 - 245	166 - 181	101	216 - 236	199 - 209	101



C1 (cm)	R (cm)	R1 (cm)	R2 (cm)	N (cm)	M (cm)	N1 (cm)	M1 (cm)
84	209 - 229	247 - 262	139 - 149	91	211 - 231	163 - 178	91
94	214 - 234	257 - 272	144 - 154	101	216 - 236	168 - 183	101



C1 (cm)	R (cm)	R1 (cm)	R2 (cm)	N (cm)	M (cm)	N1 (cm)	M1 (cm)
84	209 - 229	269 - 289	117 - 122	91	211 - 231	163 - 178	91
94	214 - 234	279 - 299	122 - 127	101	216 - 236	168 - 183	101

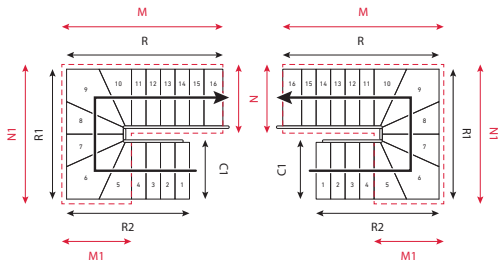


C1 (cm)	R (cm)	R1 (cm)	R2 (cm)	N (cm)	M (cm)	N1 (cm)	M1 (cm)
84	209 - 229	291 - 316	95	91	211 - 231	163 - 178	91
94	214 - 234	301 - 326	100	101	216 - 236	168 - 183	101

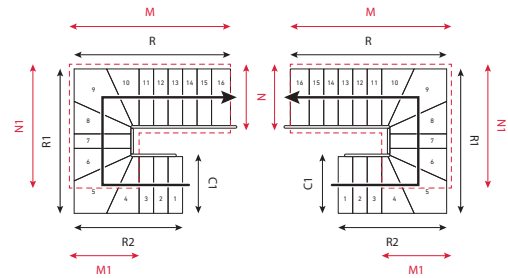
DUBAI 16 TREADS - WIDTH 80 & 90 CM

H 289 - 357 cm — Staircase dimensions incl. Classic banister on 1 side. See p. 5 for staircase width (C1) with Design banister.

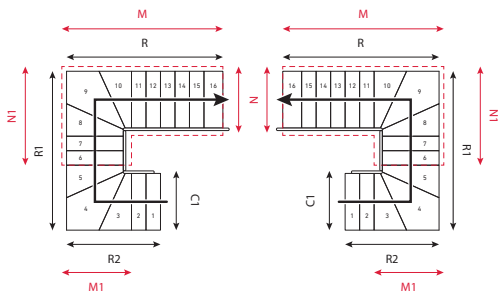
--- Floor opening size is defined based on 2 cm space to wall, 5 cm space for hand, 19 cm rise height, 25 cm deck thickness, 200 cm headspace.



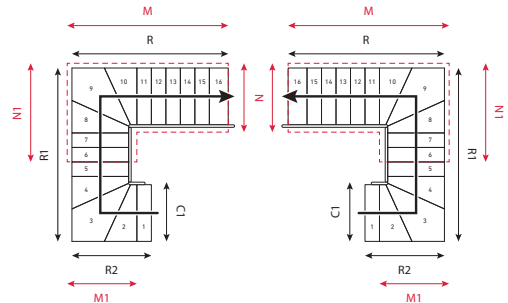
C1 (cm)	R (cm)	R1 (cm)	R2 (cm)	N (cm)	M (cm)	N1 (cm)	M1 (cm)
84	231 - 256	181	183 - 203	91	233 - 258	185	91
94	236 - 261	191	188 - 208	101	238 - 263	195	101



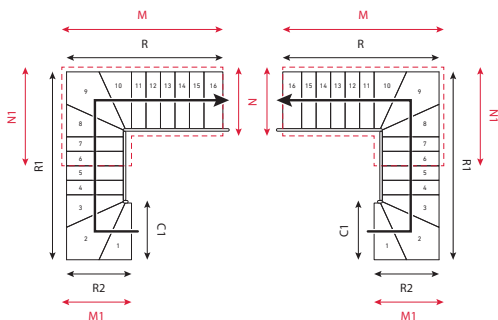
C1 (cm)	R (cm)	R1 (cm)	R2 (cm)	N (cm)	M (cm)	N1 (cm)	M1 (cm)
84	231 - 256	203 - 208	161 - 176	91	233 - 258	169 - 174	91
94	236 - 261	213 - 218	166 - 181	101	238 - 263	177 - 182	101



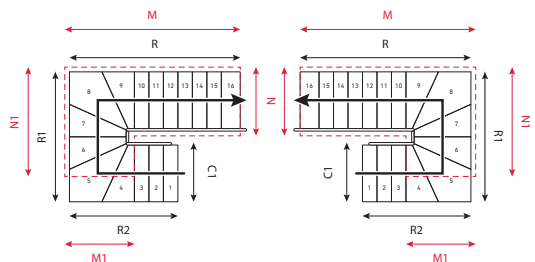
C1 (cm)	R (cm)	R1 (cm)	R2 (cm)	N (cm)	M (cm)	N1 (cm)	M1 (cm)
84	231 - 256	225 - 235	139 - 149	91	233 - 258	141 - 151	91
94	236 - 261	235 - 245	144 - 154	101	238 - 263	146 - 156	101



C1 (cm)	R (cm)	R1 (cm)	R2 (cm)	N (cm)	M (cm)	N1 (cm)	M1 (cm)
84	231 - 256	247 - 262	117 - 122	91	233 - 258	141 - 151	91
94	236 - 261	257 - 272	122 - 127	101	238 - 263	146 - 156	101



C1 (cm)	R (cm)	R1 (cm)	R2 (cm)	N (cm)	M (cm)	N1 (cm)	M1 (cm)
84	231 - 256	269 - 289	95	91	233 - 258	141 - 151	91
94	236 - 261	279 - 299	100	101	238 - 263	146 - 156	101



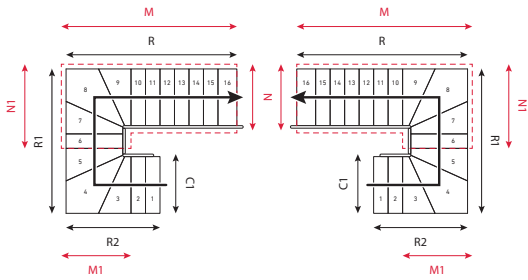
C1 (cm)	R (cm)	R1 (cm)	R2 (cm)	N (cm)	M (cm)	N1 (cm)	M1 (cm)
84	253 - 283	181	161 - 176	91	255 - 285	147	91
94	258 - 288	191	166 - 181	101	260 - 290	155	101

DUBAI 16 TREADS - WIDTH 80 & 90 CM

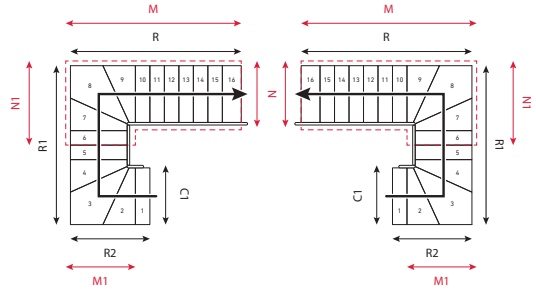
H 289 - 357 cm

— Staircase dimensions incl. Classic banister on 1 side. See p. 5 for staircase width (C1) with Design banister.

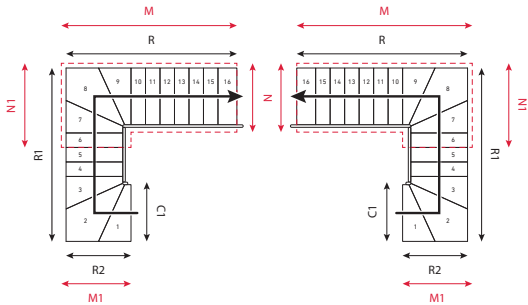
- - - Floor opening size is defined based on 2 cm space to wall, 5 cm space for hand, 19 cm rise height, 25 cm deck thickness, 200 cm headspace.



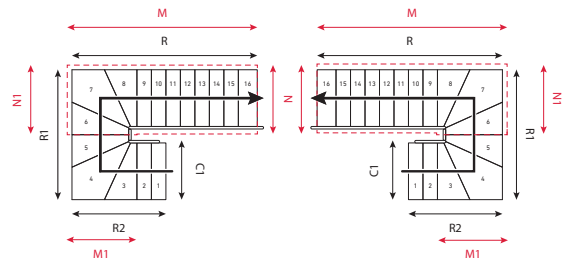
C1 (cm)	R (cm)	R1 (cm)	R2 (cm)	N (cm)	M (cm)	N1 (cm)	M1 (cm)
84	253 - 283	203 - 208	139 - 149	91	255 - 285	119 - 124	91
94	258 - 288	213 - 218	144 - 154	101	260 - 290	124 - 129	101



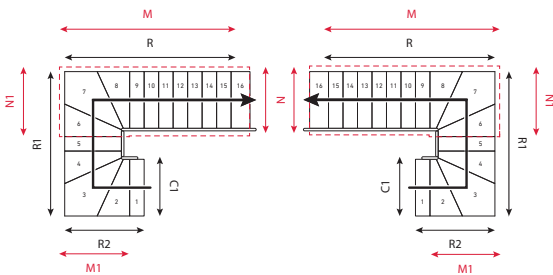
C1 (cm)	R (cm)	R1 (cm)	R2 (cm)	N (cm)	M (cm)	N1 (cm)	M1 (cm)
84	253 - 283	225 - 235	117 - 122	91	255 - 285	119 - 124	91
94	258 - 288	235 - 245	122 - 127	101	260 - 290	124 - 129	101



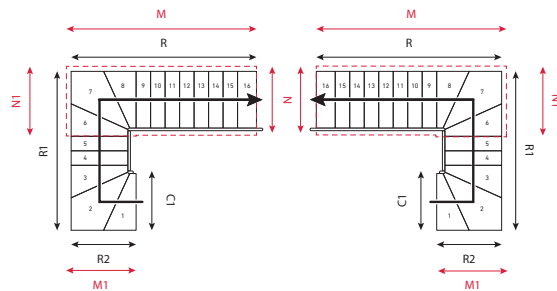
C1 (cm)	R (cm)	R1 (cm)	R2 (cm)	N (cm)	M (cm)	N1 (cm)	M1 (cm)
84	253 - 283	247 - 262	95	91	255 - 285	119 - 124	91
94	258 - 288	257 - 272	100	101	260 - 290	124 - 129	101



C1 (cm)	R (cm)	R1 (cm)	R2 (cm)	N (cm)	M (cm)	N1 (cm)	M1 (cm)
84	275 - 310	181	139 - 149	91	277 - 312	97	91
94	280 - 315	191	144 - 154	101	282 - 317	101	101



C1 (cm)	R (cm)	R1 (cm)	R2 (cm)	N (cm)	M (cm)	N1 (cm)	M1 (cm)
84	275 - 310	203 - 208	117 - 122	91	277 - 312	97	91
94	280 - 315	213 - 218	122 - 127	101	282 - 317	101	101



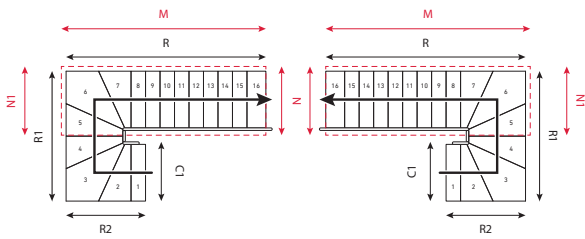
C1 (cm)	R (cm)	R1 (cm)	R2 (cm)	N (cm)	M (cm)	N1 (cm)	M1 (cm)
84	275 - 310	225 - 235	95	91	277 - 312	97	91
94	280 - 315	235 - 245	100	101	282 - 317	101	101

DUBAI 16 TREADS - WIDTH 80 & 90 CM

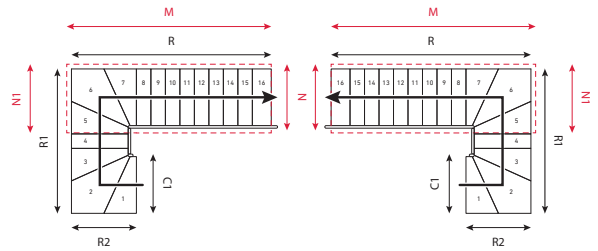
H 289 - 357 cm

Staircase dimensions incl. Classic banister on 1 side. See p. 5 for staircase width (C1) with Design banister.

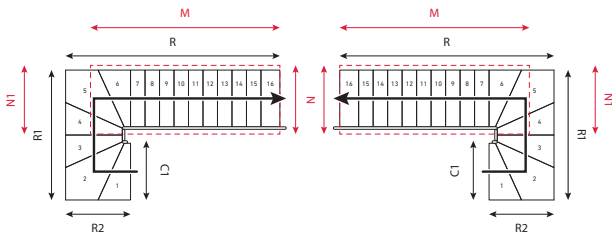
--- Floor opening size is defined based on 2 cm space to wall, 5 cm space for hand, 19 cm rise height, 25 cm deck thickness, 200 cm headspace.



C1 (cm)	R (cm)	R1 (cm)	R2 (cm)	N (cm)	M (cm)	N1 (cm)
84	297 - 337	181	117 - 122	91	299 - 339	91
94	302 - 342	191	122 - 127	101	304 - 344	101



C1 (cm)	R (cm)	R1 (cm)	R2 (cm)	N (cm)	M (cm)	N1 (cm)
84	297 - 337	203 - 208	95	91	299 - 339	91
94	302 - 342	213 - 218	100	101	304 - 344	101



C1 (cm)	R (cm)	R1 (cm)	R2 (cm)	N (cm)	M (cm)	N1 (cm)
84	319 - 364	181	95	91	282 - 327	91
94	324 - 369	191	100	101	285 - 330	101