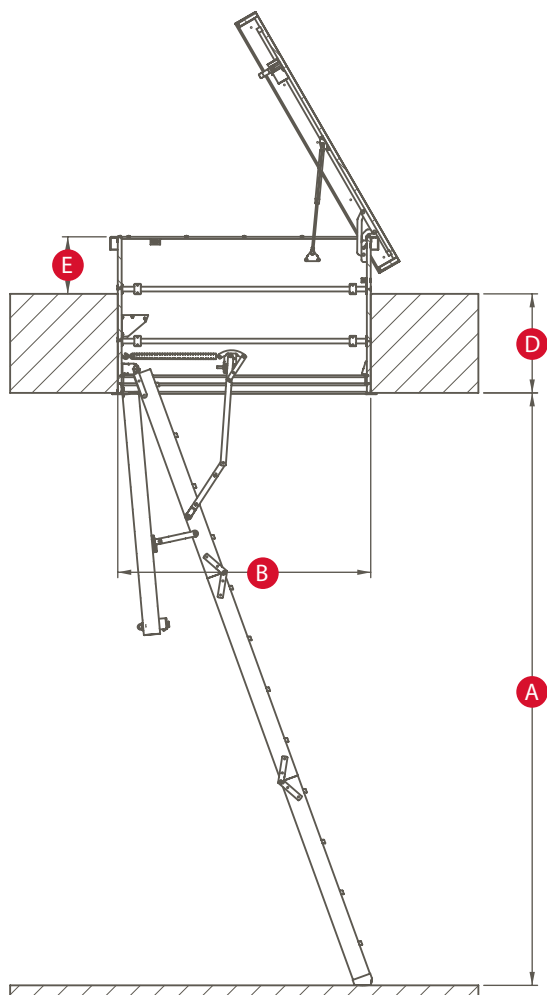


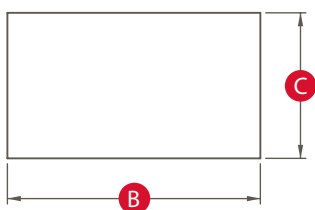
# FLAT ROOF HATCH MADE TO MEASURE



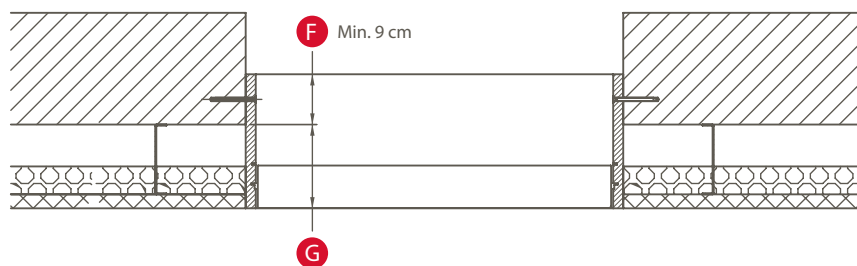
- A** Floor-to-ceiling height: \_\_\_\_\_ cm
- B** Opening size - length: \_\_\_\_\_ cm
- C** Opening size - width: \_\_\_\_\_ cm
- D** Construction height\*: \_\_\_\_\_ cm  
min. 28.35 - max. 124.95 cm
- E** Height above roof (min. 20 cm): \_\_\_\_\_ cm
- F** Suspended ceiling\*\*: Yes  No
- G** If yes, please measure G: \_\_\_\_\_ cm

\* The construction height is from the bottom of the finished ceiling to the top of the finished roof construction (see illustration).  
**Total height = D + E** (min. 48.35 - max. 144.95 cm)

Opening size



Suspended ceiling



\*\*By suspended ceiling the mounting space (F) must be minimum 9 cm.



Verified with overload for  
150 kg load capacity



One man installation



Low weight

**DANISH  
QUALITY**

Danish quality since 1951

**A1** ΔΟΜΙΚΑ  
ΠΑΣΙΣΗΣ